

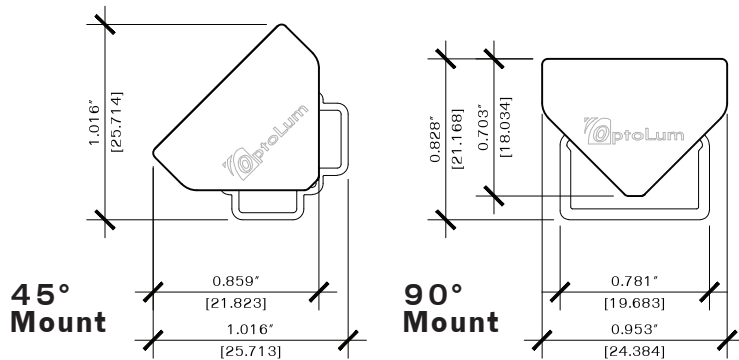
Specify **B2-AL**

PRODUCT	MOUNTING	LED COLOR	COATING	LENS	CONNECTION	FINISH	LENGTH
	4 -45° 9 -90°	Warm White 27 -2700°K 30 -3000°K 35 -3500°K 40 -4000°K* Cool White 45 -4500°K* 50 -5000°K* <i>*special order color</i>	U -Uncoated C -Conformally Coated	S -Standard Lens O -Opal Lens	D -Dead End E -End to End	A -Natural Clear B -Brite Natural* C -Black* D -Medium Bronze* O -Custom* <i>*Nonstandard finishes available for additional cost</i>	3" Multiples

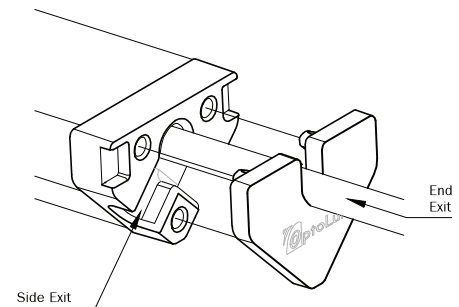


Product Dimensions

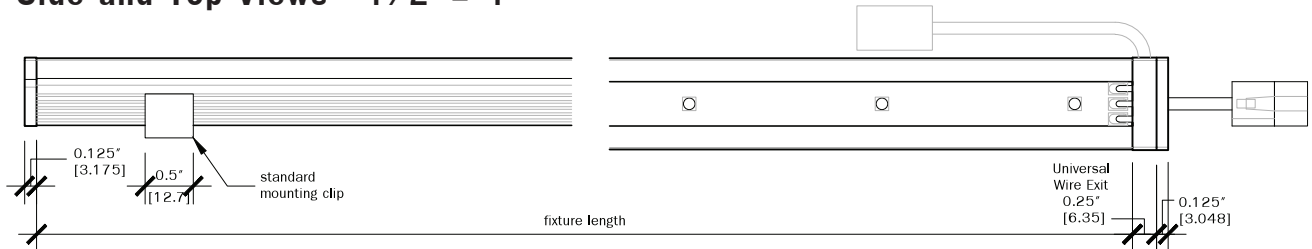
End Views - Actual Size



Universal Wire Feed End Cap



Side and Top Views - 1/2 = 1



Options

Lenses

BriteLine2 aLine's aluminum housing incorporates a linear polycarbonate lens. This lens may be specified as standard clear or opal. Please contact your OptoLum Rep for custom options.

Coating

An optional conformal coating may be specified. This coating is optically clear and is applied over the circuitry and LEDs prior to final assembly to add a degree of protection to the circuit from environmental elements.

Finishes and Mounting

The standard BriteLine2 aLine aluminium housing comes with a natural anodized finish. Additional custom anodized finishes are available for an additional cost.

BriteLine2 aLine comes with fixed 90° or 45° mounting brackets. The fixture comes with a standard universal wire feed end cap allowing for in-field movement of cables left, right or center. All end caps are standard grey.

Control Systems

BriteLine2 aLine is compatible with most 0-10 dimming systems. All 0-10 interface devices and power supplies are ordered separately.

Electrical

Power Supply	W/ft	60W	96W
B2 aLine	7.75	8'-0"	12'-0"

Item	Specification	B2 3500K
Output*	Lumens/ft	436
	Efficacy	56 Lm/W
	CRI	CRI 85 nominal
	Lumen Maintenance	50,000 hours with maintenance of 70% lumen output @25 °C
Electrical	Input Voltage	24 VDC
	Power Consumption	7.75 W/ft maximum at steady state
Control	Dimming	Compatible with most 0-10 systems with an OptoLum 0-10 dimming interface
Physical	Dimensions	1.0"W, 1.0"H, length 3" multiples
	Housing	Extruded aluminum, anodized finish
	Lens	Standard Clear or Opal
	Fixture connectors	End to End or Dead End
	Ambient Operating Temperature	-20 ° - 50 °C (-4 ° - 122 °F)
	Max fixture run length per power supply	12'-0" @ 96W 8'-0" @ 60W
Certification and Safety	Certification	UL, CE
	LED Class	Class 2 LED product
	Environment	Dry Location

© OptoLum Inc. April 2014 - OptoLum reserves the right to change specifications for product improvement without notification

* Estimates have been included in the illumination data pending LM79 testing results; actual illumination may vary from these estimates.



Lamp Life and Warranty

Average Rated Lamp Life is 50,000 hours. Lamp life is derived from a formula that includes known LED tolerance and actual stress applied. OptoLum warranties our products for three years from the date of purchase against manufacturing defects.