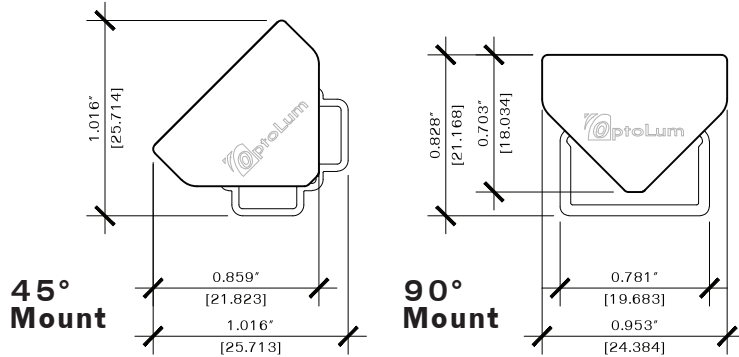


Specify EL-AL								
PRODUCT	MOUNTING	INTENSITY	LED COLOR	COATING	LENS	CONNECTION	FINISH	LENGTH
	4 -45° 9 -90°	S -SLO L -LO <small>*For HO option please refer to BriteLine2 aLine Spec sheet</small>	Warm White 27 -2700°K 30 -3000°K 35 -3500°K 40 -4000°K* Cool White 45 -4500°K* 50 -5000°K* <small>*special order color</small>	U -Uncoated C -Conformally Coated	S -Standard O -Opal Lens	D -Dead End E -End to End	A -Natural Clear B -Brite Natural* C -Black* D -Medium Bronze* O -Custom* <small>*Nonstandard finishes available for additional cost</small>	ECO SLO 6" Multiples ECO LO 6" Multiples

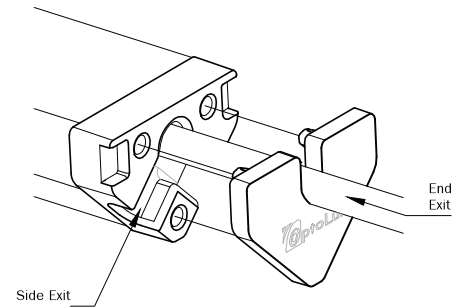


Product Dimensions

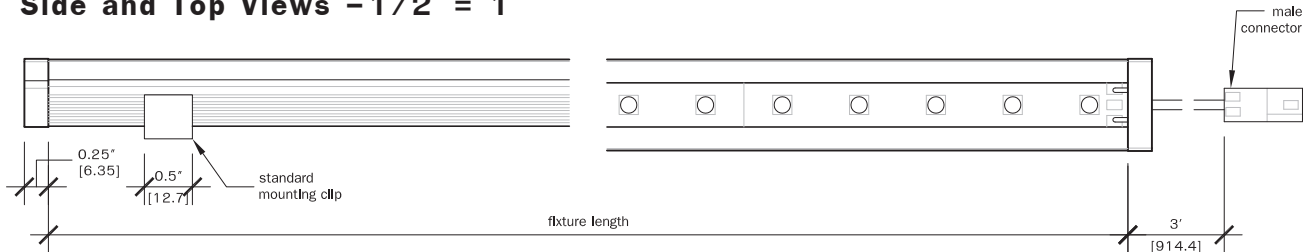
End Views - Actual Size



Universal Wire Feed End Cap



Side and Top Views - 1/2 = 1



Options

Lenses

EcoLine aLine's aluminum housing incorporates a linear polycarbonate lens. This lens may be specified as standard clear or opal. Please contact your OptoLum Rep for custom options.

Coating

An optional conformal coating may be specified. This coating is optically clear and is applied over the circuitry and LEDs prior to final assembly to add a degree of protection to the circuit from environmental elements.

Finishes and Mounting

The standard EcoLine aLine aluminium housing comes with a natural anodized finish. Additional custom anodized finishes are available for an additional cost.

EcoLine aLine comes with fixed 90° or 45° mounting brackets. The fixture comes with a standard universal wire feed end cap allowing for in-field movement of cables left, right or center. All end caps are standard grey.

Control Systems

EcoLine aLine is compatible with most 0-10 dimming systems. All 0-10 interface devices and power supplies are ordered separately.

Electrical

Power Supply	W/ft	60W	96W
EL aLine SLO	3.7	16'-0"	25'-6"
EL aLine LO	8	7'-6"	12'-0"

HO option

For a HO option, please refer to BriteLine 2 aLine.

Item	Specification	ELSLO 3000K	ELLO 3000K	
Output*	Lumens/ft	192	323	
	Efficacy	44.84 Lm/W	36.88 Lm/W	
	CRI	CRI 85 nominal		
	Lumen Maintenance	50,000 hours with maintenance of 70% lumen output @25 °C		
Electrical**	Input Voltage	24 VDC		
	Power Consumption	3.7 W/ft maximum at steady state	8 W/ft maximum at steady state	
Control	Dimming	Compatible with most 0-10 systems with an OptoLum 0-10 dimming interface		
Physical	Dimensions	1.0"W, 1.0"H, length 6" multiples	1.0"W, 1.0"H, length 6" multiples	
	Housing	Extruded aluminum, anodized finish		
	Lens	Standard Clear or Opal		
	Fixture connectors	End to End or Dead End		
	Ambient Operating Temperature	-20 ° - 50 °C (-4 ° - 122 °F)		
	Max fixture run length per power supply	25'-6" @ 96W	12' @ 96W	
		16'-0" @ 60W	7'-6" @ 60W	
Certification and Safety	Certification	UL, CE		
	LED Class	Class 2 LED product		
	Environment	Dry Location		

* Estimates have been included in the illumination data pending LM79 testing results; actual illumination may vary from these estimates.

** Power consumption data does not include the power supply and may vary slightly.



Lamp Life and Warranty

Average Rated Lamp Life is 50,000 hours. Lamp life is derived from a formula that includes known LED tolerance and actual stress applied. OptoLum warranties our products for three years from the date of purchase against manufacturing defects.