

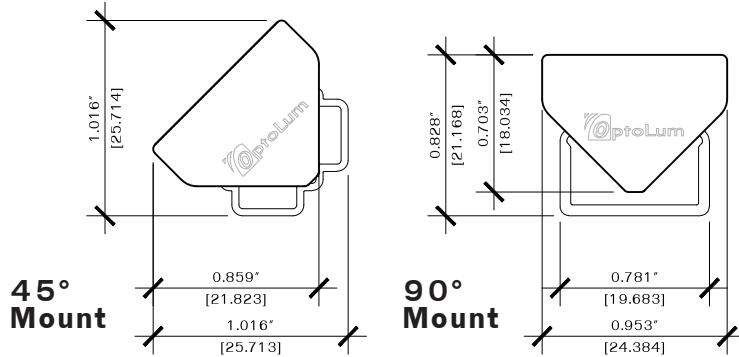
Specify **FL-AL**

PRODUCT	MOUNTING	INTENSITY	LED COLOR	COATING	LENS	CONNECTION	FINISH	LENGTH	
	4 -45°	S -SLO	Warm White	U-Uncoated	S-Standard	D -Dead End	A -Natural Clear	FLSLO	
	9 -90°	L -LO	27 -2700°K	C-Conformally Coated	O-Opal Lens	E -End to End	C -Black*	6" Multiples	
		H -HO	30 -3000°K				D -Medium Bronze*	FLLO	
			35 -3500°K				O -Custom*	3" Multiples	
			40 -4000°K*					FLHO	
			Cool White				*Nonstandard finishes available for additional cost	1.33" Multiples	
			45 -4500°K*						
			50 -5000°K*						
			*special order color						

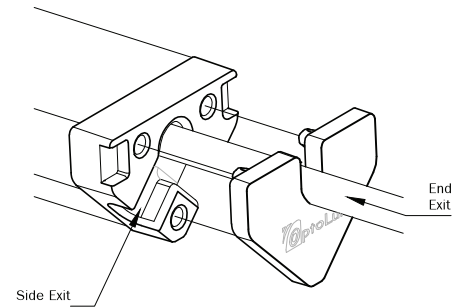


Product Dimensions

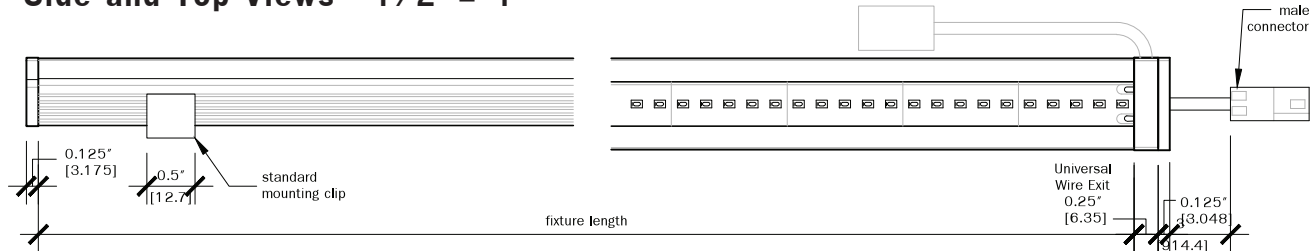
End Views - Actual Size



Universal Wire Feed End Cap



Side and Top Views - 1/2 = 1



Options

Lenses

FineLine aLine's housing incorporates a linear polycarbonate lens. This lens may be specified as standard clear or opal. Please contact your OptoLum Rep for custom options.

Coating

An optional conformal coating may be specified. This coating is optically clear and is applied over the circuitry and LEDs prior to final assembly to add a degree of protection to the circuit from environmental elements.

Finishes and Mounting

The standard FineLine aLine aluminium housing comes with a natural anodized finish. Additional custom order anodized finishes are available for an additional cost.

FineLine aLine comes with fixed 90° or 45° mounting brackets. The fixture comes with a standard universal wire feed end cap allowing for in-field movement of cables left, right or center. All end caps are standard grey.

Control Systems

FineLine aLine is compatible with most 0-10 dimming systems. All 0-10 interface devices and power supplies are ordered separately.

Electrical

Power Supply	W/ft	60W	96W
FL aLine SLO	1.25	48'-0"	76'-6"
FL aLine LO	2.5	24'-0"	38'-0"
FL aLine HO	4.50	13'-0"	21'-0"

Item	Specification	FLSLO 3000K	FLLO 3000K	FLHO 3000K
Output*	Lumens/ft	64	123	239
	Efficacy	51 Lm/W	49.2 Lm/W	53.11 Lm/W
	CRI	CRI 85 nominal		
	Lumen Maintenance	50,000 hours with maintenance of 70% lumen output @25 °C		
Electrical**	Input Voltage	24 VDC		
	Power Consumption	1.25 W/ft maximum at steady state	2.5 W/ft maximum at steady state	4.50 W/ft maximum at steady state
Control	Dimming	Compatible with most 0-10 systems with an OptoLum 0-10 dimming interface		
Physical	Dimensions	1" X 1" - length 6" multiples	1" X 1" - length 3" multiples	1" X 1" - length 1.3" multiples
	Housing	Extruded aluminum, anodized finish		
	Lens	Standard Clear or Opal		
	Fixture connectors	End to End or Dead End		
	Ambient Operating Temperature	-20 ° - 50 °C (-4 ° - 122 °F)		
	Max fixture run length per power supply	76' @ 96W	38' @ 96W	21' @ 96W
		48' @ 60W	24' @ 60W	13' @ 60 W
Certification and Safety	Certification			
	LED Class	Class 2 LED product		
	Environment	Dry Location		

* Estimates have been included in the illumination data pending LM79 testing results; actual illumination may vary from these estimates.

** Power consumption data does not include the power supply and may vary slightly.



Lamp Life and Warranty

Average Rated Lamp Life is 50,000 hours. Lamp life is derived from a formula that includes known LED tolerance and actual stress applied. OptoLum warranties our products for three years from the date of purchase against manufacturing defects.