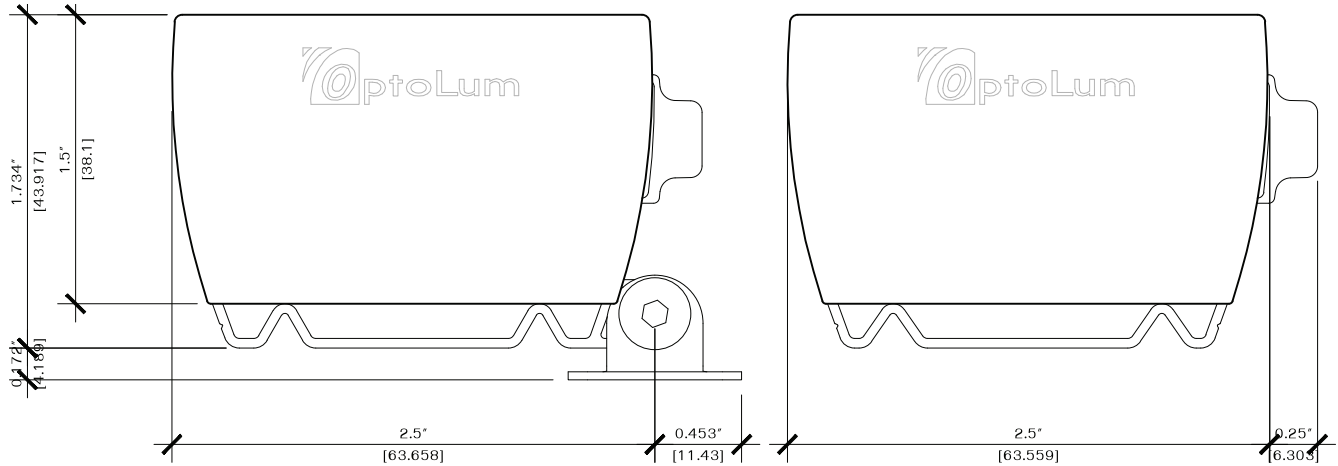


Specify **MLL**

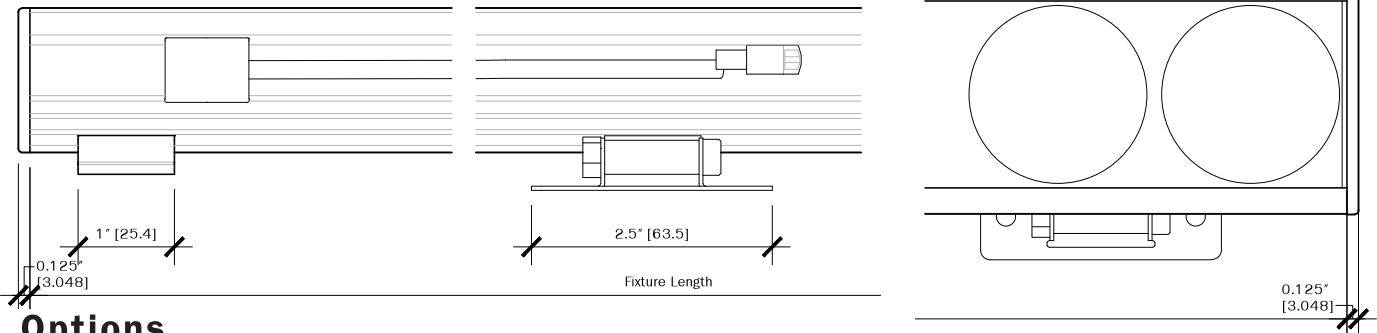
PRODUCT	MOUNTING	OPTIC	LED COLOR	CRI	COATING	LENS	FINISH	LENGTH
	F - Standard Fixed	19°	Warm White	8 -CRI 85	U -Uncoated	S -Standard	A -Natural Clear	2" Multiples (42" max)
	R - Rotational	25°	27 - 2700°K	9 -CRI 95*	C -Conformally Coated	O -Opal	B -Brite Natural*	
	P - Suspended Pendant*	33°	30 - 3000°K	<i>*special order</i>		L -Louver	C -Black*	
	<i>*Please coordinate pendant options with your OptoLum Rep</i>	UL-110°	35 - 3500°K				D -Medium Bronze*	
		M1 - 19°/25°	40 - 4000°K				O -Custom*	
		M2 - 19°/33°	Cool White				<i>*Nonstandard finishes available for additional cost</i>	
		M3 - 19°/110°	45 - 4500°K					
			50 - 5000°K					
			<i>*special order color</i>					

Product Dimensions

End Views Actual Size



Side and Top Views 1/2 = 1



Options

Optics

OptoLum offers optional high efficiency optics in several beam spreads. Custom alternating beam spreads are also available. A protective lens covers MegaLine's individual optics. This lens can be customized by the addition of filters or gels. Please coordinate custom options with your OptoLum Rep.

Finishes and Mounting Options

The standard MegaLine aluminium housing comes with a natural anodized finish. Additional custom anodized finishes are available for an additional cost.

MegaLine may be specified with fixed mounting clips or with Pivot Bracket mounting clips. The Pivot Bracket allows the installer to set a custom fixture angle. A suspended Pendant Option is also available.

Coating

An optional conformal coating may be specified. This coating is optically clear and is applied over the circuitry and LEDs prior to final assembly to add a degree of protection to the circuit from environmental elements.

Control Systems

MegaLine is compatible with most 0-10 dimming systems. All 0-10 interface devices and power supplies are ordered separately.

Electrical

OptoLum Low Voltage LED luminaires require remote power supplies which, must be ordered separately. Each MegaLine fixture comes with one 3' lead. Please see reverse for electrical data.

Item	Specification	MLL
Output	Lumens/ft	1524 estimated
	Efficacy	53 Lm/W
	CRI	CRI 85 (2700K-5000K) Special Order CRI 95 (2700K-5000K)
	Lumen Maintenance	50,000 hours with maintenance of 70% lumen output @25 °C
Electrical*	Input Voltage	24 VDC
	Power Consumption	28.6 W/ft maximum at steady state
Control	Dimming	Compatible with most 0-10 systems with an OptoLum 0-10 dimming interface
Physical	Dimensions	W 2.5" X H 1.5" X L 2" multiples
	Housing	Extruded aluminum, anodized finish
	Lens	Polycarbonate
	Fixture connectors	One 3' lead with male connector
	Ambient Operating Temperature	-20 ° - 50 °C (-4 ° - 122 °F)
	Max fixture run length per power supply	3'-6" @ 96W 2' @ 60W
Certification and Safety	Certification	UL, CE
	LED Class	Class 2 LED product
	Environment	Dry Location

© OptoLum Inc. April 2014 - OptoLum reserves the right to change specifications for product improvement without notification

* Power consumption is inclusive of both the fixture and an OptoLum Power Supply.

Lamp Life and Warranty

Average Rated Lamp Life is 50,000 hours. Lamp life is derived from a formula that includes known LED tolerance and actual stress applied. OptoLum warranties our products for three years from the date of purchase against manufacturing defects.

