

Specify **B2-VL**

PRODUCT

LED COLOR

Warm White
27-2700°K
30-3000°K
35-3500°K
40-4000°K*
Cool White
45-4500°K*
50-5000°K*
**special
order color*

8

CRI

8 -CRI 85

U

COATING

U-Uncoated

U

LENS

U -Unlensed*

**unlensed fixtures
must be enclosed
within a case or similar
enclosed application*

CONNECTION

D-Dead End

E-End to End

FINISH

A-Natural Clear

B-Brite Natural*

C-Black*

D-Medium Bronze*

O-Custom*

**Nonstandard finishes
available for additional
cost*

LENGTH

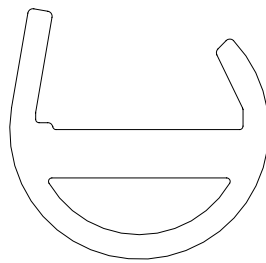
3" Multiples



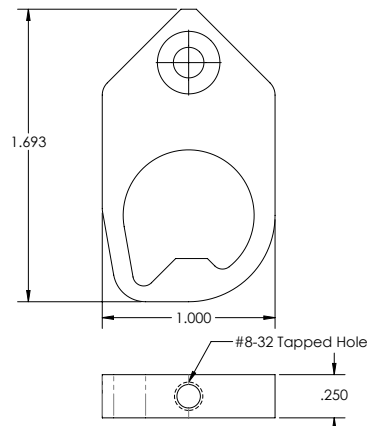
Product Dimensions

End Views – Not To Scale*

Extrusion



Mounting Bracket



Options

Lenses

BriteLine2 Veil's LEDs yield a 105° degree beam angle. Veil comes un-lensed OptoLum recommends a secondary enclosure for the fixture, such as a display case or architectural housing.

Coating

An optional conformal coating may be specified. This coating is optically clear and is applied over the circuitry and LEDs prior to final assembly to add a degree of protection to the circuit from environmental elements.

Control Systems

BriteLine2 Veil is compatible with most 0-10 dimming systems. All 0-10 interface devices and power supplies are ordered separately.

Finishes & Mounting

BriteLine2 Veil's aluminium housing comes with a natural anodized finish. Additional custom order anodized finishes are available for an additional cost.

BriteLine2 Veil is un-lensed, without end caps, and comes with stainless steel mounting brackets.

Electrical

OptoLum Low Voltage LED luminaires require OptoLum's remote power supplies, which must be ordered separately. BriteLine2 Veil can be wired in series. Each power supply is provided with one 11'-0" lead.

Power Supply	W/ft	60W	96W
B2 Veil	7.75	8'-0"	12'-0"

BriteLine2 Veil

Item	Specification	B2R 3500K
Output*	Lumens/ft	437.5
	Efficacy	56.45 Lm/W
	CRI	CRI 85 nominal
	Lumen Maintenance	50,000 hours with maintenance of 70% lumen output @25 °C
Electrical**	Input Voltage	24 VDC
	Power Consumption	7.75 W/ft maximum at steady state
Control	Dimming	Compatible with most 0-10 systems with an OptoLum 0-10 dimming interface
Physical	Dimensions	length 3" multiples
	Housing	Extruded aluminum, anodized finish
	Lens	Unlensed
	Fixture connectors	End to End or Dead End
	Ambient Operating Temperature	-20 ° - 50 °C (-4 ° - 122 °F)
	Max fixture run length per power supply	12'-0" @ 96W 8'-0" @ 60W
Certification and Safety	Certification	UL, CE
	LED Class	Class 2 LED product
	Environment	Dry Location

* Estimates have been included in the illumination data pending LM79 testing results; actual illumination may vary from these estimates.

** Power consumption data does not include the power supply and may vary slightly.

