

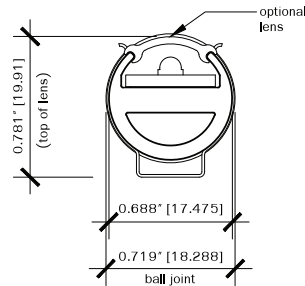
Specify **B2X**

PRODUCT	EXTRUSION	LED COLOR	COATING	LENS	CONNECTION	FINISH	JOINT TYPE	LENGTH
	RD-Round AL-Angle LP-Low Profile	Warm White 27-2700°K 30-3000°K 35-3500°K 40-4000°K* Cool White 45-4500°K* 50-5000°K* <i>*special order color</i>	U-Uncoated C-Conformally Coated	U-Unlensed* S-Standard Lens O-Opal Lens <i>*unlensed fixtures must be enclosed within a case or similar enclosed application</i>	D-Dead End E-End to End	A-Natural Clear C-Black* <i>*Nonstandard finishes available for additional cost</i>	B-Ball Black* G-Ball Gray* W-1.5" Wire <i>*Ball joint connectors are only available for the round extrusion</i>	3" Multiples

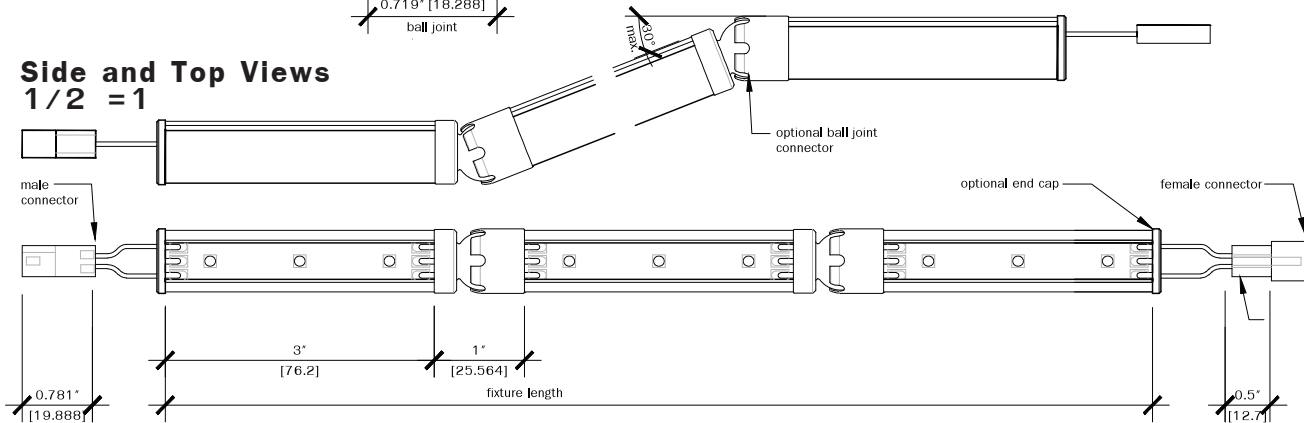


Product Dimensions

Cross Sections Actual Size



Side and Top Views 1/2 = 1



Options

Lenses

BriteLine2 Flex's LEDs have an integral 110° optic. An additional linear lens can be specified to protect the fixture and facilitate easier cleaning and maintenance. This polycarbonate lens may be specified as clear (93% transmission) or opal. OptoLum recommends this lens be specified unless a secondary enclosure for the fixture exists, such as a display case or architectural housing.

Coating

An optional conformal coating may be specified. This coating is optically clear and is applied over the circuitry and LEDs prior to final assembly to add a degree of protection to the circuit from environmental elements.

Joint Type and End Caps

OptoLum offers two joint options for BriteLine 2 Flex Round. Ball Joint connectors provide a 30 degree range of rotation, a sleeker appearance and a more robust connection. The Ball Joint may be specified in one of two colors, natural gray or black. Wire Flex connectors allow maximum flexibility for tight curves and angles. All other extrusion types utilize Wire Flex connectors. Wire flex fixtures should be handled gently as the connections are more delicate than Ball Joints.

Mounting and Finish

BriteLine 2 Flex comes with mounting clips which vary based on extrusion type. BriteLine 2 Flex is segmented based on intensity. Contact your OptoLum rep for additional segmentation options. BriteLine 2 Flex comes with a natural anodized finish. Custom finishes are available for an additional cost.

Control Systems

BriteLine2 Flex is compatible with most 0-10 dimming systems. All 0-10 interface devices and power supplies are ordered separately.

Electrical

OptoLum Low Voltage LED luminaires require OptoLum's remote power supplies, which must be ordered separately. BriteLine2 Flex can be wired in series. Each power supply is provided with one 11'-0" lead.

Power Supply	W/ft	60W	96W
B2 Flex	5.81	10'-3"	16'-6"

Item	Specification	BL2XR 3500K
Output*	Lumens/ft	327
	Efficacy	56 Lm/W
	CRI	CRI 85 nominal
	Lumen Maintenance	50,000 hours with maintenance of 70% lumen output @25 °C
Electrical**	Input Voltage	24 VDC
	Power Consumption	5.81 W/ft maximum at steady state
Control	Dimming	Compatible with most 0-10 systems with an OptoLum 0-10 dimming interface
Physical	Dimensions	Please refer to BriteLine2 Round, aLine and Low Profile Spec Sheets for extrusion dimensions
	Housing	Extruded aluminum, anodized finish
	Lens	Polycarbonate (93%) - contact a rep for additional options
	Fixture connectors	End to End or Dead End
	Ambient Operating Temperature	-20 ° - 50 °C (-4 ° - 122 °F)
	Max fixture run length per power supply	16'-6" @ 96W 10'-3" @ 60W
Certification and Safety	Certification	UL, CE
	LED Class	Class 2 LED product
	Environment	Dry Location

© OptoLum Inc. April 2014 - OptoLum reserves the right to change specifications for product improvement without notification

* Estimates have been included in the illumination data pending LM79 testing results; actual illumination may vary from these estimates.

** Power consumption data does not include the power supply and may vary slightly.



Lamp Life and Warranty

Average Rated Lamp Life is 50,000 hours. Lamp life is derived from a formula that includes known LED tolerance and actual stress applied. OptoLum warranties our products for three years from the date of purchase against manufacturing defects.