

Specify **DLH**

PRODUCT

OPTIC

19°
25°
33°
D6-60° Diffused

LED COLOR

Warm White
27-2700°K
30-3000°K
35-3500°K
40-4000°K*
Cool White
45-4500°K*
50-5000°K*
**special order color*

CRI

8 -CRI 85
9 -CRI 95*
**special order*

COATING

U-Uncoated
C-Conformally Coated

LENS

S-Standard
H-Hex cell louver

Jumper

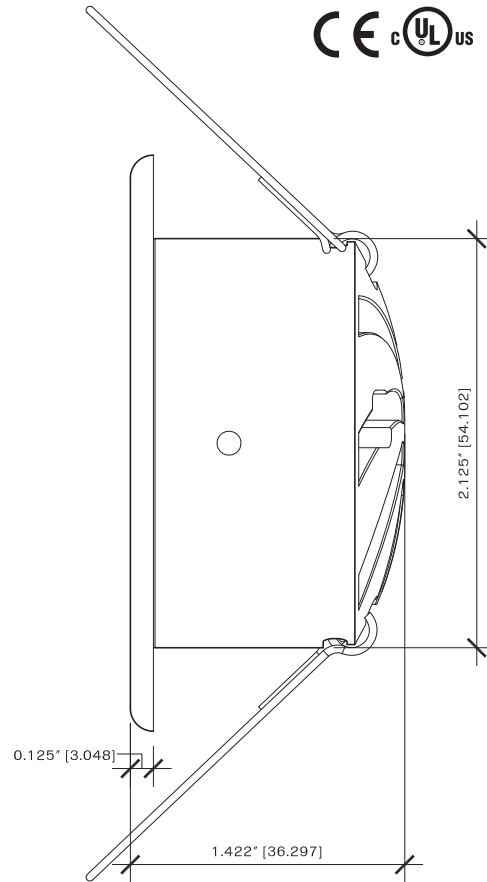
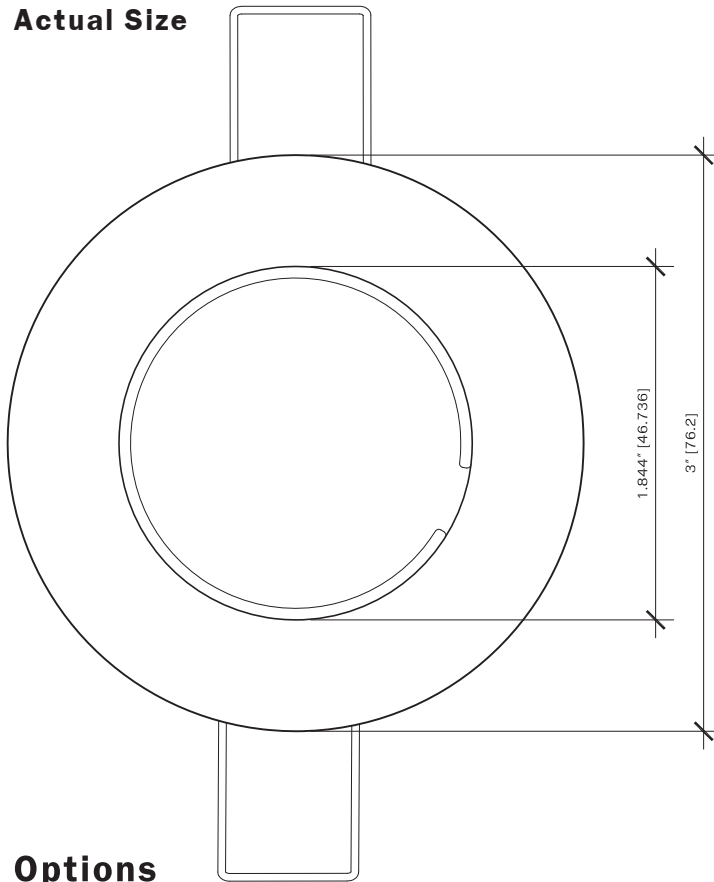
X- 3'
Y- 6'
Z- 10'

FINISH

A -Natural Clear
B -Brite Natural*
C -Black*
D -Medium Bronze*
W -White Powder Coat*
O -Custom*
**Nonstandard finishes available for additional cost*

Product Dimensions

Actual Size



Options

Optics

Our high efficiency lenses are made of optical grade PMMA and are available in narrow 16°, medium 26°, and wide 40° beam spreads as well as a 60° diffusing optic.

Finish and Mounting Options

The standard finish for the DLH's aluminium housing is natural clear. Nonstandard finishes are available for an additional cost. Mounting the DLH requires a minimum 1.5" clearance space and a minimum material thickness of .875".

Control Systems

The DLH is compatible with most 0-10 dimming systems with a 0-10 interface. All 0-10 interface devices and power supplies are ordered separately. Please refer to OptoLum's Power Supply Specification Sheets for dimming component requirements.

Coating

An optional conformal coating may be specified. This coating is optically clear and is applied over the circuitry and LEDs prior to final assembly to add a degree of protection to the circuit from environmental elements.

Electrical

OptoLum Low Voltage LED luminaires require remote power supplies, which must be ordered separately. The DLH is wired in series with a standard cable length between modules of 3'-0". Additional options for cable lengths are available upon request. Changes in cable lengths will affect wire gauge and cost.

Power Supply	W/Luminaire	60W	96W
DLH	5.70	10	10-16*

**Up to 16 luminaires may be possible with custom wiring*

Item	Specification	DLH	
Output	Lumens	340	
	Efficacy	59	
	CRI	CRI 85 (2700K-5000K) Special Order CRI 95 (2700K-5000K)	
	Lumen Maintenance	50,000 hours with maintenance of 70% lumen output @25 °C	
Electrical*	Input Voltage	24 VDC	
	Power Consumption	5.70 W/Luminaire maximum at steady state	
Control	Dimming	Compatible with most 0-10 systems with an OptoLum 0-10 dimming interface	
Physical	Dimensions	3" Diameter, 1.42" Depth	
	Housing	Machined aluminum, anodized or powder coated finish	
	Optic	16°, 26°, 40° Diffused 60°	
	Fixture connectors	Custom	
	Ambient Operating Temperature	-20 ° - 50 °C (-4 ° - 122 °F)	
	Max fixtures per power supply		10 @ 96W (up to 16 may be possible with custom wiring, please coordinate with your Rep)
			10 @ 60W
Certification and Safety	Certification	UL, CE	
	LED Class	Class 2 LED product	
	Environment	Dry Location	

© Optolum Inc. June 2014 - Optolum reserves the right to change specifications for product improvement without notification

* Power consumption is inclusive of both the fixture and an OptoLum Power Supply.

Lamp Life and Warranty

Average Rated Lamp Life is 50,000 hours. Lamp life is derived from a formula that includes known LED tolerance and actual stress applied. OptoLum warranties our products for three years from the date of purchase against manufacturing defects.

