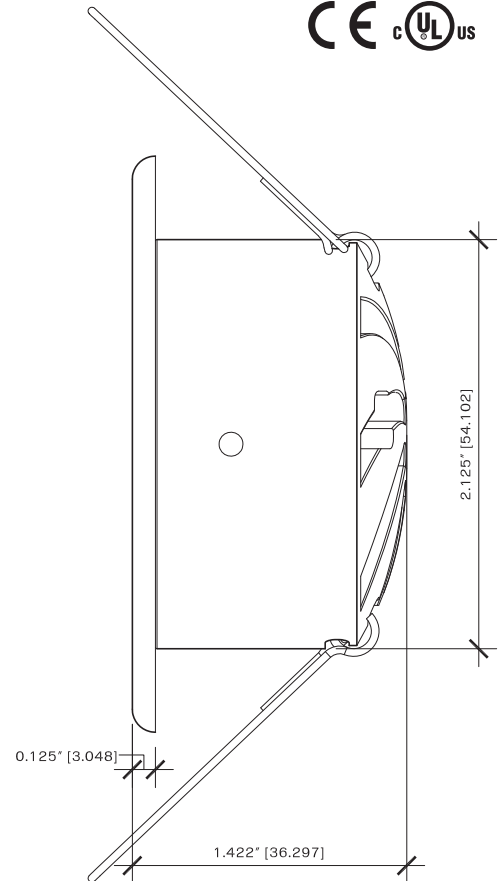
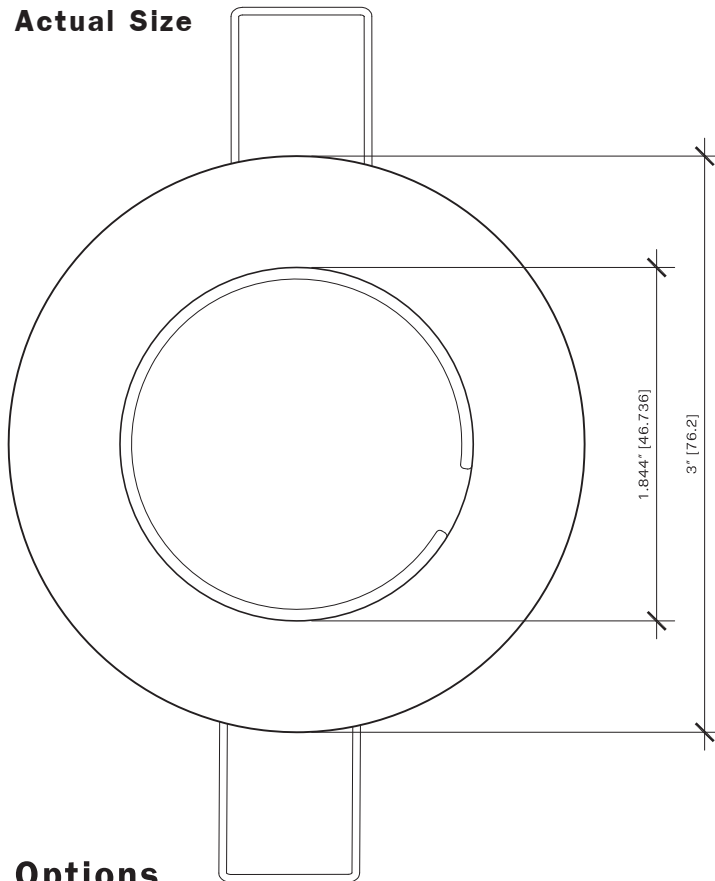


Specify **DL**

| PRODUCT | OPTIC | LED COLOR | CRI | LENS | Jumper | FINISH |
|---------|--------------------------------------|---|---|---------------------------------|-----------------------|--|
| | 19° 25° 33° D6-60° Diffused | Warm White 27-2700°K 30-3000°K 35-3500°K 40-4000°K* Cool White 45-4500°K* 50-5000°K* *special order color | 8 -CRI 85 9 -CRI 95* *special order | S-Standard H-Hex cell louver | X-3' Y-6' Z-10' | A -Natural Clear B -Brite Natural* C -Black* D -Medium Bronze* W -White Powder Coat* O -Custom* <i>*Nonstandard finishes available for additional cost</i> |

Product Dimensions

Actual Size



Options

Optics

Our high efficiency lenses are made of optical grade PMMA and are available in narrow 16°, medium 26°, and wide 40° beam spreads as well as a 60° diffusing optic.

Finish and Mounting Options

The standard finish for the DLL's aluminium housing is natural clear. Nonstandard finishes are available for an additional cost. Mounting the DLL requires a minimum 1.5" clearance space and a minimum material thickness of .875".

Control Systems

The DLL is compatible with most 0-10 dimming systems with a 0-10 interface. All 0-10 interface devices and power supplies are ordered separately. Please refer to OptoLum's Power Supply Specification Sheets for dimming component requirements.

Electrical

OptoLum Low Voltage LED luminaires require remote power supplies, which must be ordered separately. The DLL is wired in series with a standard cable length between modules of 3'-0." Additional options for cable lengths are available upon request. Changes in cable lengths will affect wire gauge and cost.

| Power Supply | W/Luminaire | 60W | 96W |
|--------------|-------------|-----|--------|
| DLL | 4.96 | 10 | 10-18* |

*Up to 18 luminaires may be possible with custom wiring

| Item | Specification | DLL |
|---------------------------------|-------------------------------|---|
| Output | Lumens | 254 |
| | Efficacy | 51 |
| | CRI | CRI 85 (2700K-5000K) Special Order CRI 95 (2700K-5000K) |
| | Lumen Maintenance | 50,000 hours with maintenance of 70% lumen output @25 °C |
| Electrical* | Input Voltage | 24 VDC |
| | Power Consumption | 4.96 W/Luminaire maximum at steady state |
| Control | Dimming | Compatible with most 0-10 systems with an OptoLum 0-10 dimming interface |
| Physical | Dimensions | 3" Diameter, 1.42" Depth |
| | Housing | Machined aluminum, anodized or powder coated finish |
| | Optic | 16°, 26°, 40° Diffused 60° |
| | Fixture connectors | Custom |
| | Ambient Operating Temperature | -20 ° - 50 °C (-4 ° - 122 °F) |
| | Max fixtures per power supply | 10 @ 96W (up to 18 may be possible with custom wiring, please coordinate with your Rep) 10 @ 60W |
| Certification and Safety | Certification | UL, CE |
| | LED Class | Class 2 LED product |
| | Environment | Dry Location |

© OptoLum Inc. June 2014 - OptoLum reserves the right to change specifications for product improvement without notification

* Power consumption is inclusive of both the fixture and an OptoLum Power Supply.

Lamp Life and Warranty

Average Rated Lamp Life is 50,000 hours. Lamp life is derived from a formula that includes known LED tolerance and actual stress applied. OptoLum warranties our products for three years from the date of purchase against manufacturing defects.

