

Specify **ELX**

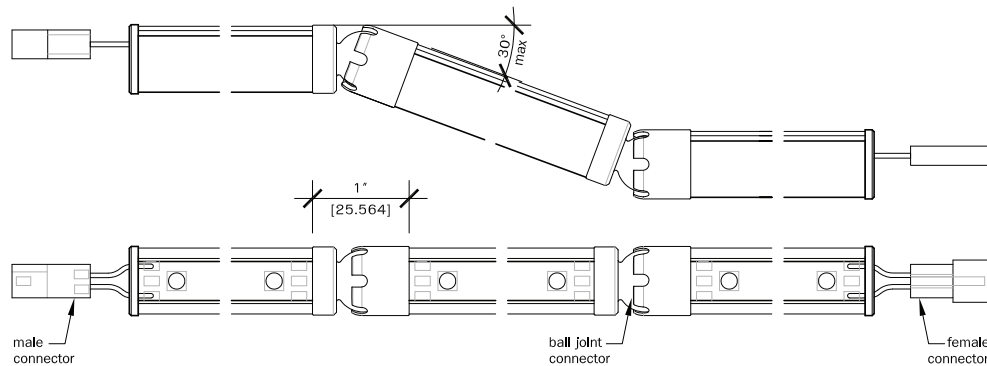
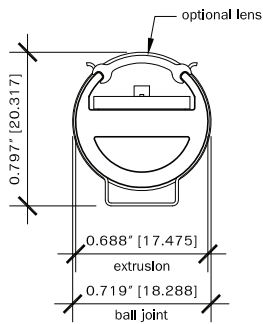
PRODUCT	EXTRUSION	INTENSITY	LED COLOR	COATING	LENS	CONNECTION	FINISH	JOINT TYPE	LENGTH
	RD-Round AL-Angle LP-Low Profile	S-SLO L-LO <small>*For HO option please refer to BriteLine2 Flex Spec sheet</small>	Warm White 27-2700°K 30-3000°K 35-3500°K 40-4000°K* Cool White 45-4500°K* 50-5000°K* <small>*special order color</small>	U-Uncoated C-Conformally Coated	U-Unlensed* S-Standard O-Opal Lens <small>*unlensed fixtures must be enclosed within a case or similar enclosed application</small>	D-Dead End E-End to End	A-Natural Clear C-Black* <small>*Nonstandard finishes available for additional cost</small>	B-Ball Black* G-Ball Gray* W-1.5" Wire <small>*Ball joint connectors are only available for the round extrusion</small>	ECO SLO 6" Multiples ECO LO 6" Multiples



Product Dimensions

Cross Sections Actual Size Round

Side and Top Views 1/2 = 1



Options

Lenses

An additional linear lens can be specified with the Round extrusion to protect the fixture and facilitate easier cleaning and maintenance. OptoLum recommends this lens be specified unless a secondary enclosure for the fixture exists, such as a display case or architectural housing. The Low Profile and Angle Extrusions are lensed. All lenses may be specified as standard or opal.

Coating

An optional conformal coating may be specified. This coating is optically clear and is applied over the circuitry and LEDs prior to final assembly to add a degree of protection to the circuit from environmental elements.

Joint Type and End Caps

OptoLum offers two joint options for EcoLine Flex Round. Ball Joint connectors provide a 30 degree range of rotation, a sleeker appearance and a more robust connection. The Ball Joint may be specified in one of two colors, natural gray or black. Wire Flex connectors allow maximum flexibility for tight curves and angles. All other extrusion types utilize Wire Flex connectors. Wire flex fixtures should be handled gently as the connectors are more delicate than Ball Joints.

Mounting and Finish

EcoLine Flex comes with mounting clips which vary based on extrusion type. EcoLine Flex is segmented based on intensity. Contact your OptoLum rep for additional segmentation options. EcoLine Flex comes with a natural anodized finish. Custom finishes are available for an additional cost.

Control Systems

EcoLine Flex is compatible with most 0-10 dimming systems. All 0-10 interface devices and power supplies are ordered separately.

Electrical

OptoLum Low Voltage LED luminaires require OptoLum's remote power supplies, which must be ordered separately. EcoLine Flex can be wired in series.

Power Supply	W/ft	60W	96W
EL Flex SLO	3.7	16'-0"	25'-6"
EL Flex LO	8	7'-6"	12'-0"

HO option

For a HO option, please refer to BriteLine 2 Flex.

Item	Specification	ELXSLO 3500K	ELXLO 3500K	
Output*	Lumens/ft	143	354	
	Efficacy	38.6 Lm/W	44 Lm/W	
	CRI	CRI 85 nominal		
	Lumen Maintenance	50,000 hours with maintenance of 70% lumen output @25 °C		
Electrical**	Input Voltage	24 VDC		
	Power Consumption	3.7 W/ft maximum at steady state	8 W/ft maximum at steady state	
Control	Dimming	Compatible with most 0-10 systems with an OptoLum 0-10 dimming interface		
Physical	Dimensions	Please refer to EcoLine Round, aLine and Low Profile Spec Sheets for extrusion dimensions		
	Housing	Extruded aluminum, anodized finish		
	Lens	Standard Clear or Opal		
	Fixture connectors	End to End or Dead End		
	Ambient Operating Temperature	-20 ° - 50 °C (-4 ° - 122 °F)		
	Max fixture run length per power supply	25'-6" @ 96W	12' @ 96W	
		16' @ 60W	7'-6" @ 60W	
Certification and Safety	Certification	UL, CE		
	LED Class	Class 2 LED product		
	Environment	Dry Location		

© OptoLum Inc. April 2014 - OptoLum reserves the right to change specifications for product improvement without notification

* Estimates have been included in the illumination data pending LM79 testing results; actual illumination may vary from these estimates.

** Power consumption data does not include the power supply and may vary slightly.



Lamp Life and Warranty

Average Rated Lamp Life is 50,000 hours. Lamp life is derived from a formula that includes known LED tolerance and actual stress applied. OptoLum warranties our products for three years from the date of purchase against manufacturing defects.