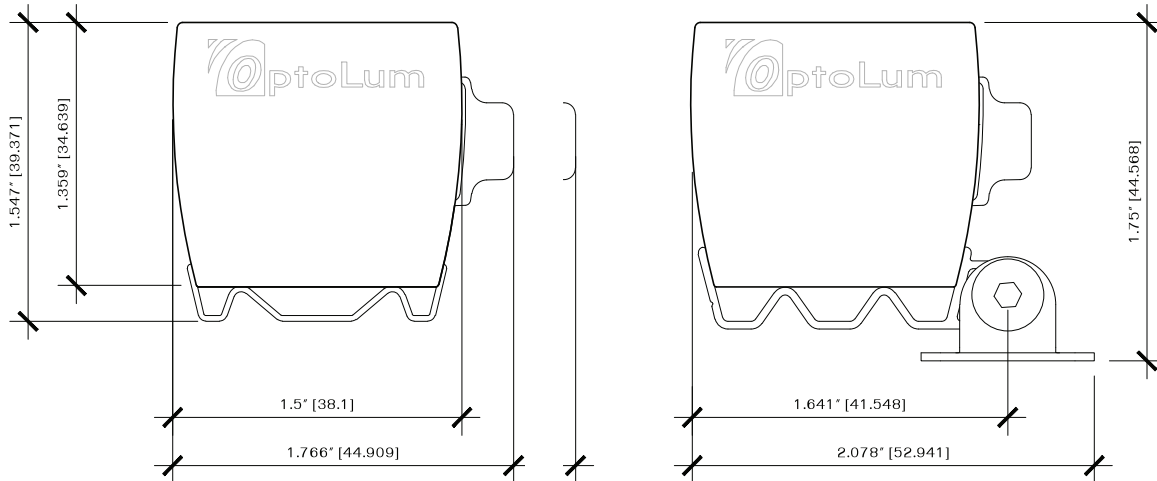


## Specify **OLH**

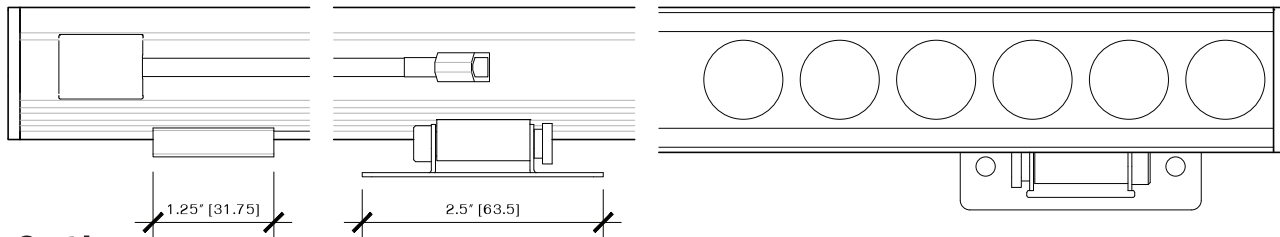
PRODUCT	MOUNTING	OPTIC	LED COLOR	CRI	COATING	LENS	FINISH	LENGTH
	<b>F</b> - Standard Fixed <b>R</b> - Rotation <b>P</b> - Suspended Pendant* <i>*Please coordinate pendant options with your OptoLum Rep.</i>	<b>8°</b> <b>12°</b> <b>17°</b> <b>30°</b> <b>43°</b> <b>UL</b> (110°) <b>EL</b> (42°x14°) <i>Please coordinate alternating lens options with your OptoLum Rep.</i>	<b>Warm White</b> <b>27</b> - 2700°K <b>30</b> - 3000°K <b>35</b> - 3500°K <b>40</b> - 4000°K* <b>Cool White</b> <b>45</b> - 4500°K <b>50</b> - 5000°K* <i>*special order color</i>	<b>8</b> -CRI 85 <b>9</b> -CRI 95* <i>*special order</i>	<b>U</b> -Uncoated <b>C</b> -Conformally Coated	<b>S</b> -Standard <b>O</b> -Opal Lens <b>L</b> - Louver	<b>A</b> -Natural Clear <b>B</b> -Brite Natural* <b>C</b> -Black* <b>D</b> -Medium Bronze* <b>O</b> -Custom* <i>*Nonstandard finishes available for additional cost</i>	Specify in 4" multiples (72" max)

## Product Dimensions

### End Views Actual Size



### Side and Top Views 1/2 = 1



## Options

### Optics

OptoLum H offers optional high efficiency optics in several beam spreads. Custom alternating beam spreads are also available. The lens can be customized by the addition of filters or gels. Please coordinate custom options with your OptoLum Rep.

### Finishes and Mounting Options

The standard OptoLine H aluminium housing comes with a natural anodized finish. Additional custom anodized finishes are available for an additional cost.

OptoLine H may be specified with fixed mounting clips, rotational mounting clips or as a suspended pendant. The rotational mounting clips allow the installer to set a custom fixture angle.

### Coating

An optional conformal coating may be specified. This coating is optically clear and is applied over the circuitry and LEDs prior to final assembly to add a degree of protection to the circuit from environmental elements.

### Control Systems

OptoLine H is compatible with most 0-10 dimming systems with a 0-10 OptoLum interface. All 0-10 interface devices and power supplies are ordered separately.

### Electrical

OptoLum Low Voltage LED luminaires require remote power supplies which, must be ordered separately. Each OptoLine fixture comes with a standard 11' lead. Please see reverse for electrical data.

Item	Specification	OLH
<b>Output</b>	Lumens/ft	1020 Estimated
	Efficacy	63 Lm/W Estimated
	CRI	CRI 85 (2700K-5000K) Special Order CRI 95 (2700K-5000K)
	Lumen Maintenance	50,000 hours with maintenance of 70% lumen output @25 °C
<b>Electrical*</b>	Input Voltage	24 VDC
	Power Consumption	14.5 W/ft maximum at steady state
<b>Control</b>	Dimming	Compatible with most 0-10 systems with an OptoLum 0-10 dimming interface
<b>Physical</b>	Dimensions	W 1.5" X H 1.36" X L 4" multiples
	Housing	Extruded aluminum, anodized finish
	Lens	Polycarbonate
	Fixture connectors	One 11' lead with male connector
	Ambient Operating Temperature	-20 ° - 50 °C (-4 ° - 122 °F)
	Max fixture run length per power supply	6' @ 96W 3' @ 60W
<b>Certification and Safety</b>	Certification	UL, CE
	LED Class	Class 2 LED product
	Environment	Dry Location

© OptoLum Inc. April 2014 - OptoLum reserves the right to change specifications for product improvement without notification

\* Power consumption is inclusive of both the fixture and an OptoLum Power Supply.

### Lamp Life and Warranty

Average Rated Lamp Life is 50,000 hours. Lamp life is derived from a formula that includes known LED tolerance and actual stress applied. OptoLum warranties our products for three years from the date of purchase against manufacturing defects.

