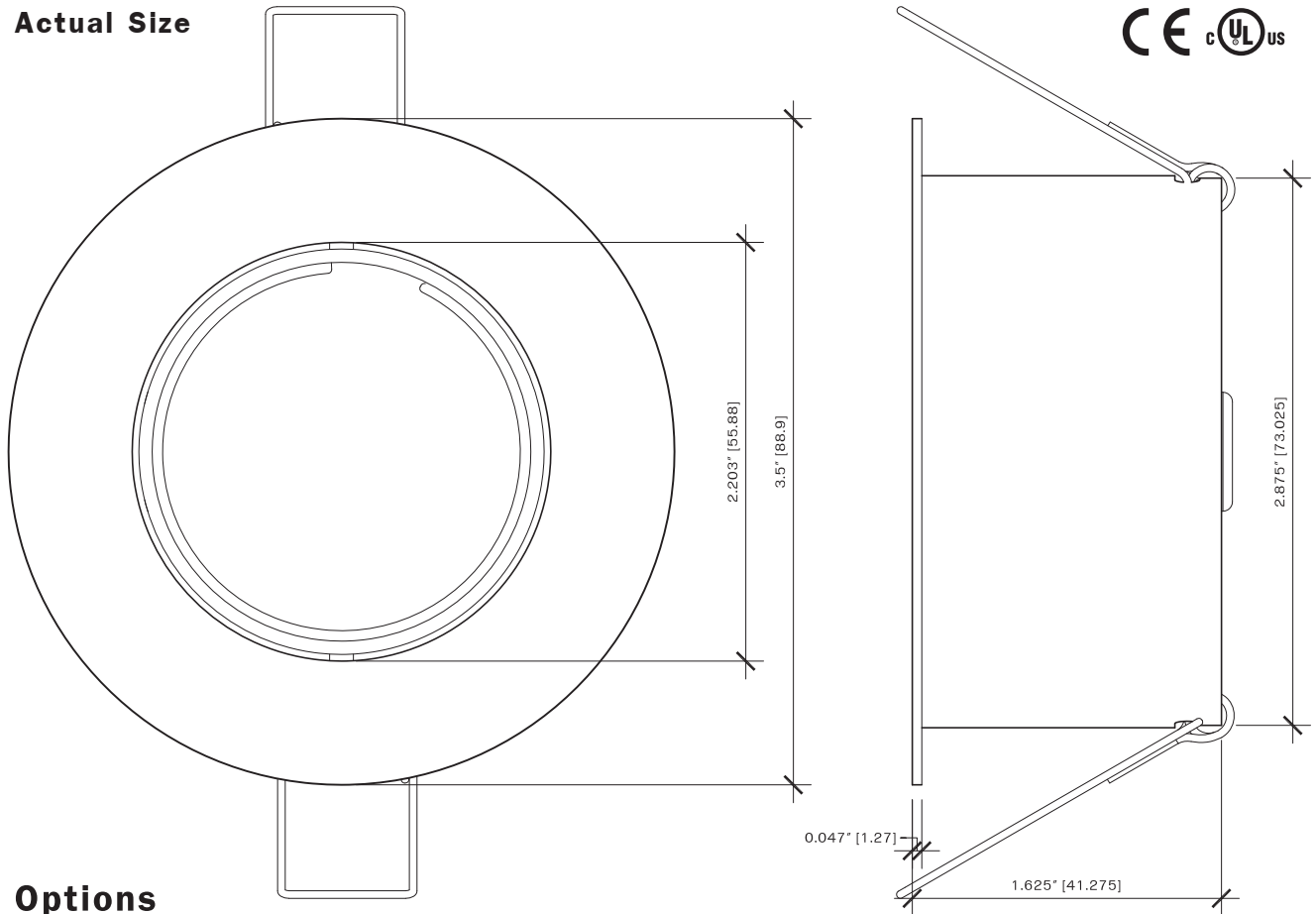


# Specify **TL**

PRODUCT	OPTIC	LED COLOR	CRI	Jumper	FINISH
	19° 25° 33° D6 - 60° Diffused	<b>Warm White</b> 27 -2700°K 30 -3000°K 35 -3500°K 40 -4000°K* <b>Cool White</b> 45 -4500°K* 50 -5000°K* <i>*special order color</i>	8 -CRI 85 9 -CRI 95* <i>*special order</i>	X-3° Y-6° Z-10°	A-Natural Clear B-Brite Natural* C-Black* D-Medium Bronze* W-White Powder Coat* O-Custom*  *Nonstandard finishes available for additional cost

## Product Dimensions

### Actual Size



## Options

### Optics

Our high efficiency lenses are made of optical grade PMMA and are available in narrow 16°, medium 26°, and wide 40° beam spreads as well as a 60° diffusing optic.

### Finish and Mounting Options

The standard finish for the TLH's aluminium housing is natural clear. Nonstandard finishes are available for an additional cost. TLL swivels and tilts for infinite directionality. Mounting the TLH requires a minimum 2" clearance space and a minimum material thickness of .031".

### Control Systems

The TLH is compatible with most 0-10 systems and PWM systems. Please refer to OptoLum's Power Supply Specification Sheets for dimming component requirements.

## Electrical

OptoLum Low Voltage LED luminaires require remote power supplies, which must be ordered separately. The TLH is wired in series with a standard cable length between modules of 3'-0." Additional options for cable lengths are available upon request. Changes in cable lengths will affect wire gauge and cost.

Power Supply	W/Luminaire	60W	96W
TLH	5.70	10	10-16*

\*Up to 16 luminaires may be possible with custom wiring

Item	Specification	TLH
<b>Output*</b>	Lumens	340
	Efficacy	59
	CRI	CRI 85 (2700K-5000K) Special Order 95 (2700K-5000K)
	Lumen Maintenance	50,000 hours with maintenance of 70% lumen output @25 °C
<b>Electrical**</b>	Input Voltage	24 VDC
	Power Consumption	5.70 W/Luminaire maximum at steady state
<b>Control</b>	Dimming	Compatible with most 0-10 systems with an OptoLum 0-10 dimming interface
<b>Physical</b>	Dimensions	3" Diameter, 1.42" Depth
	Housing	Machined aluminum, anodized or powder coated finish
	Optic	19°, 25°, 33°      Diffused 60°
	Fixture connectors	Custom
	Ambient Operating Temperature	-20 ° - 50 °C (-4 ° - 122 °F)
	Max fixtures per power supply	10 @ 96W (up to 16 may be possible with custom wiring, please coordinate with your Rep) 10 @ 60W
<b>Certification and Safety</b>	Certification	UL, CE
	LED Class	Class 2 LED product
	Environment	Dry Location

\* The data for this product has been approximated based on the LM79 testing of a similar OptoLum product, actual value may differ based upon options selected and environment. Please see our website for current data, IES files and additional color temperature data.

\*\* Power consumption is inclusive of both the fixture and an OptoLum Power Supply.

### Lamp Life and Warranty

Average Rated Lamp Life is 50,000 hours. Lamp life is derived from a formula that includes known LED tolerance and actual stress applied. OptoLum warranties our products for three years from the date of purchase against manufacturing defects.

