

TYPE PROJECT FIRM DATE

AL
Point Source



AL is an extremely small and high intensity spotlight measuring in at only 1.19" in diameter. This tiny fixture is perfect for retail display and museum lighting and is available in a variety of lumen outputs, and color temperatures.

+ Standard CRI 90+ Nominal

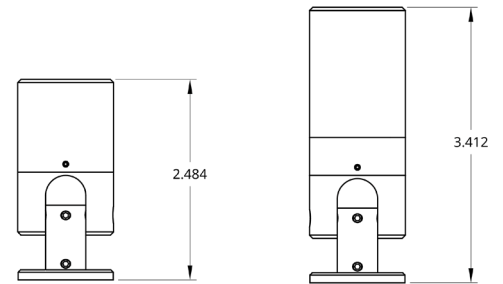
	LO	HO
Lumen Output*	116 lm/fixture	197 lm/fixture
Power Consumption**	1.4 W/fixture	2.7 W/fixture
Efficacy	82.86 lm/W	72.96 lm/W
Input Voltage	24V DC	24V DC



*Product varies slightly from this image

Full Width Half Max	FWHM will correspond to selected optic
Uniformity	3-Step MacAdam Ellipse
Operating Temp	50°C (122°F) Max
Materials	Machined Aluminium
Dimming	PWM Dimming, Flicker-Free down to 2%

* Data in interpolated from the LM 79 testing of similar OptoLum products at 3000K, 90+CRI
 ** Wattage is inclusive of power supply; Do not exceed 80% of power supply rated wattage



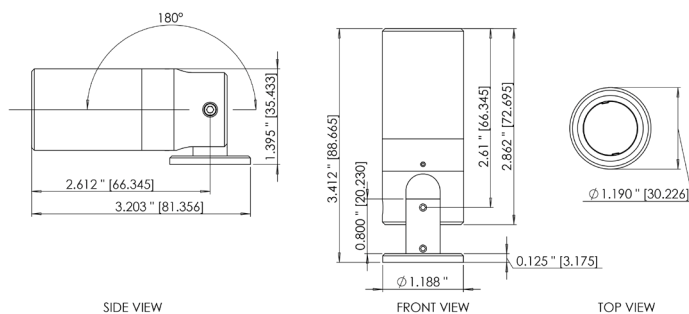
AL ORDERING CODE Example: ALS---32630-----A006000

PRODUCT	OUTPUT	OPTIC	COLOR TEMP	FINISH	STEM LENGTH
S---	-		----		
AL AL	L LO	14 14°	27 9 2700K	A Natural	Please specify nominal length up to 60". Minimum stem length is .8" Standard length is 1.25"
AL SNOOT	H HO	16 16°	30 9 3000K	C Black	
		24 24°	35 9 3500K	D Bronze	
		48 48°	40 9 4000K		
		EL 14°+40°	45 9 4500K* 50 9 5000K*		

*these colors may require additional lead time

AL PRODUCT DIMENSIONS

With Snoot



Without Snoot

