

OPTOLUM

TYPE:

BRITELINE aLINE

T: 480-968-2500 1407 W 10th Place Suite 107
 F: 480-968-3005 Tempe, AZ 85018

HIGHLIGHTS

STANDARD **CRI 90+** NOMINAL

DATE: _____

**Fixed 45° or 90°
Mounting**

Lumen Output*	472.2 Lm/ft (1549 Lm/m)	*Product tested at 3000K, 90+CRI
Power Consumption**	7.41 W/ft (24.32 W/m)	** Wattage is inclusive of power supply
Efficacy	64 Lm/W	50,000 hours of maintenance of 70% Lumen output at 25 °C
Input Voltage	24 VDC	

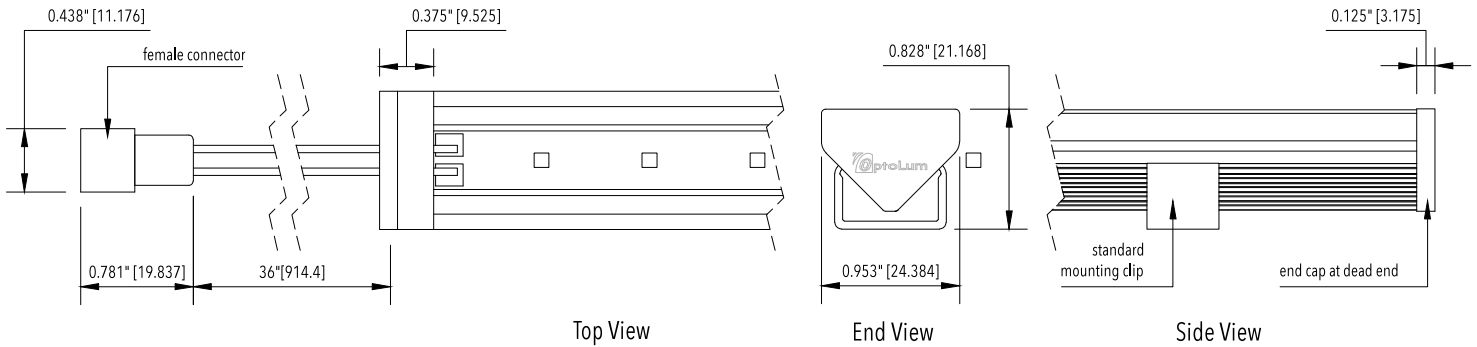


PROJECT: _____

FIRM: _____

PRODUCT DIMENSIONS

NOTES: _____



SPECIFY

Example: **BL4AL----309USD-A060000**

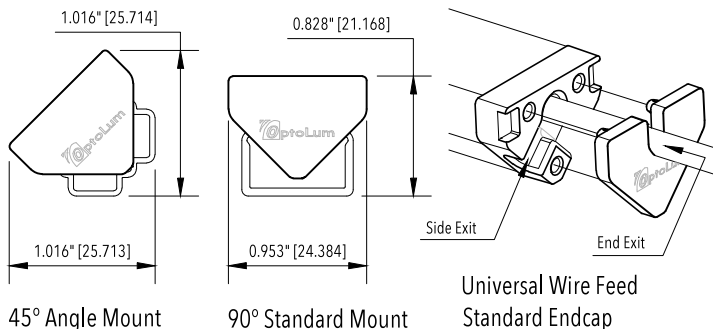
B2		AL-	-	--					
-----------	--	------------	---	----	--	--	--	--	--

PRODUCT	MOUNTING	COLOR TEMPERATURE	COATING	LENS	CONNECTION	FINISH	LENGTH
	4 45° Angle Mount 9 90° Standard Mount	22 8 2200K* 24 8 2400K* 27 9 2700K 30 9 3000K 35 9 3500K 40 9 4000K 45 9 4500K* 50 9 5000K*	U Uncoated Standard <i>for damp location specify:</i> C Coated	S Standard O Opal	D Dead End E End to End	A Natural C Black* D Bronze* <i>*Special order available for additional cost</i>	Please specify nominal length in 3" increments up to 120"

*CRI 85 nominal, may require additional lead time

MOUNTING

PLEASE SPECIFY ABOVE



ACCESSORIES

PS				2--	
JUMPERS					

POWER SUPPLIES Complete information can be found on Power Supply Spec Pages

UL CLASS 2	IP65	INPUT 110-277 VAC
RATED POWER		RUN LENGTH PER SUPPLY
PS060X277-	60 W	7.7 ft (2.4 m)
PS100X277-	100 W	12.8 ft (3.9 m)
PS100-ELV-	100 W	12.8 ft (3.9 m)
INTEGRAL J-BOX		
PS100-277-	100 W	12.8 ft (3.9 m)

*Quantity of Power Supplies may change based upon layout.