

OPTOLUM

TYPE:

ECOLINE aLINE LO

T: 480-968-2500
F: 480-968-3005

1407 W 10th Place Suite 107
Tempe, AZ 85018

HIGHLIGHTS

STANDARD **CRI 90+** NOMINAL

DATE: _____

**Fixed 45° or 90°
Mounting**
Low Wattage

Lumen Output*	161.8 Lm/ft (531 Lm/m)
Power Consumption**	2.26 W/ft (7.41 W/m)
Efficacy	72 Lm/W
Input Voltage	24 VDC

* Data has been interpolated from the LM 79 testing of similar OptoLum products at 3000K and 90+ CRI, actual values may differ.
** Wattage is inclusive of power supply.

50,000 hours of maintenance of 70% Lumen output at 25 °C

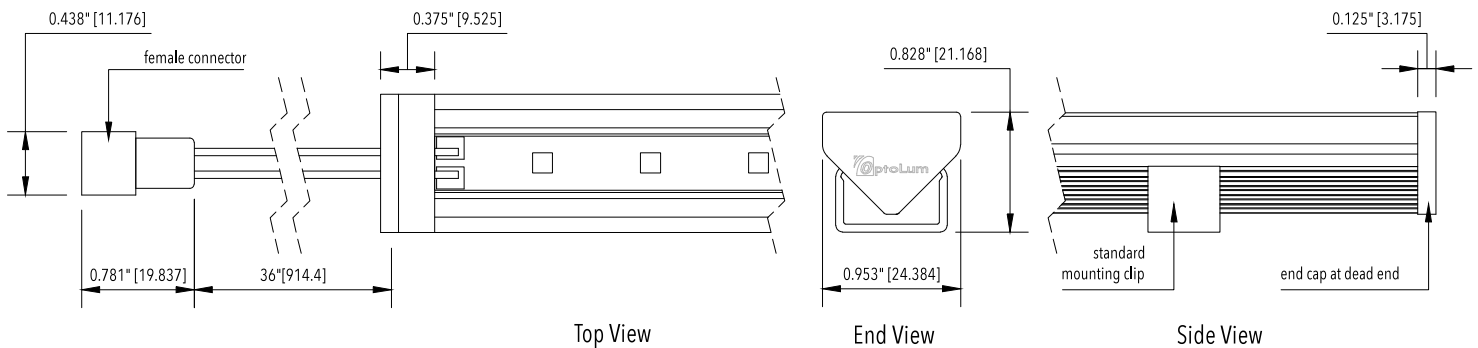


PROJECT: _____

FIRM: _____

PRODUCT DIMENSIONS

NOTES: _____



SPECIFY

Example: **EL4AL-L--309USD-A060000**

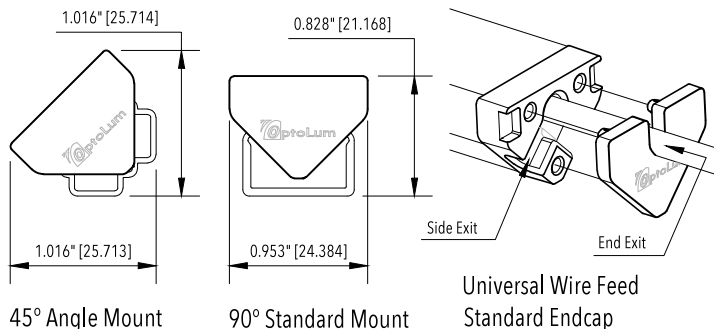
EL		AL-	L	--																
-----------	--	------------	----------	----	--	--	--	--	--	--	--	--	--	--	--	--	--	--	--	--

PRODUCT	MOUNTING	COLOR TEMPERATURE	COATING	LENS	CONNECTION	FINISH	LENGTH
4	45° Angle Mount	20 8 2000K*	U Uncoated Standard	S Standard	D Dead End	A Natural	Please specify nominal length in 6" increments up to 120"
9	90° Standard Mount	22 8 2200K*	<i>for damp location specify:</i>	O Opal	E End to End	C Black*	
		24 8 2400K*	C Coated			D Bronze*	
		27 9 2700K				<i>*Special order available for additional cost</i>	
		30 9 3000K					
		35 9 3500K					
		40 9 4000K					
		45 9 4500K*					
		50 9 5000K*					

*CRI 85 nominal, may require additional lead time

MOUNTING

PLEASE SPECIFY ABOVE



ACCESSORIES

PS				2--	
JUMPERS					

POWER SUPPLIES Complete information can be found on Power Supply Spec Pages

UL CLASS 2	IP65	INPUT 110-277 VAC
RATED POWER RUN LENGTH PER SUPPLY*		
PS060X277-	60 W	25.2 ft (7.7 m)
PS100X277-	100 W	42.0 ft (12.8 m)
PS100-ELV-	100 W	42.0 ft (12.8 m)
INTEGRAL J-BOX		
PS100-277-	100 W	42.0 ft (12.8 m)

*Quantity of Power Supplies may change based upon layout.