

# OPTOLUM

TYPE:

T: 480-968-2500  
F: 480-968-3005

1407 W 10th Place Suite 107  
Tempe, AZ 85018

## ECOLINE aLINE MO

### HIGHLIGHTS

STANDARD **CRI 90+** NOMINAL

DATE: \_\_\_\_\_

**Fixed 45° or 90°  
Mounting**

Lumen Output*	213.2 Lm/ft (700 Lm/m)
Power Consumption**	2.96 W/ft (9.71 W/m)
Efficacy	72 Lm/W
Input Voltage	24 VDC

\* Data has been interpolated from the LM 79 testing of similar OptoLum products at 3000K and 90+ CRI, actual values may differ.  
\*\* Wattage is inclusive of power supply.

50,000 hours of maintenance of 70% Lumen output at 25 °C

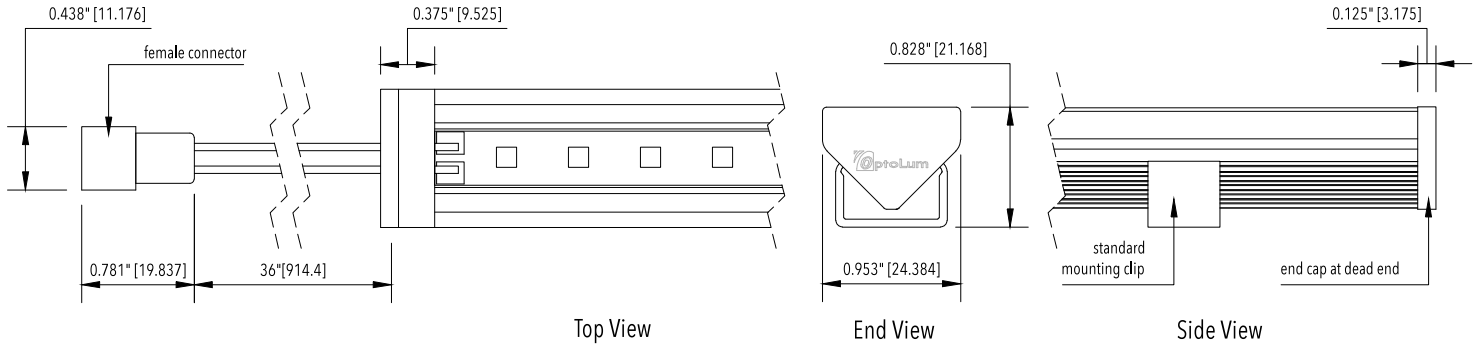


PROJECT: \_\_\_\_\_

FIRM: \_\_\_\_\_

### PRODUCT DIMENSIONS

NOTES: \_\_\_\_\_



### SPECIFY

Example: **EL4AL-M--309USD-A060000**

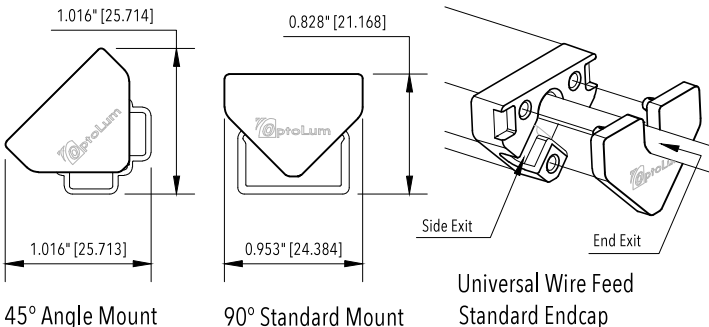
EL		AL-	M	--					
----	--	-----	---	----	--	--	--	--	--

PRODUCT	MOUNTING	COLOR TEMPERATURE	COATING	LENS	CONNECTION	FINISH	LENGTH
	4 45° Angle Mount 9 90° Standard Mount	20 8 2000K* 22 8 2200K* 24 8 2400K* 27 9 2700K 30 9 3000K 35 9 3500K 40 9 4000K 45 9 4500K* 50 9 5000K*	U Uncoated Standard <i>for damp location specify:</i> C Coated	S Standard O Opal	D Dead End E End to End	A Natural C Black* D Bronze* <i>*Special order available for additional cost</i>	Please specify nominal length in 4" increments up to 120"

\*CRI 85 nominal, may require additional lead time

### MOUNTING

PLEASE SPECIFY ABOVE



### ACCESSORIES

PS			2--	
JUMPERS				

POWER SUPPLIES Complete information can be found on Power Supply Spec Pages

UL CLASS 2	IP65	INPUT 110-277 VAC
RATED POWER RUN LENGTH PER SUPPLY*		
PS060X277-	60 W	19.3 ft (5.9 m)
PS100X277-	100 W	32.1 ft (9.8 m)
PS100-ELV-	100 W	32.1 ft (9.8 m)
INTEGRAL J-BOX		
PS100-277-	100 W	32.1 ft (9.8 m)

\*Quantity of Power Supplies may change based upon layout.