

# OPTOLUM

TYPE:

T: 480-968-2500  
F: 480-968-3005

1407 W 10th Place Suite 107  
Tempe, AZ 85018

## ECOLINE CASELINE HO

### HIGHLIGHTS

STANDARD **CRI 90+** NOMINAL

DATE: \_\_\_\_\_

<b>Precise Aiming Magnetic Mount High Output</b>	Lumen Output*	353.2 Lm/ft (1159 Lm/m)	*Product tested at 3000K, 90+CRI
	Power Consumption**	4.68 W/ft 15.35 W/m)	** Wattage is inclusive of power supply
	Efficacy	75 Lm/W	50,000 hours of maintenance of 70% Lumen output at 25 °C
	Input Voltage	24 VDC	

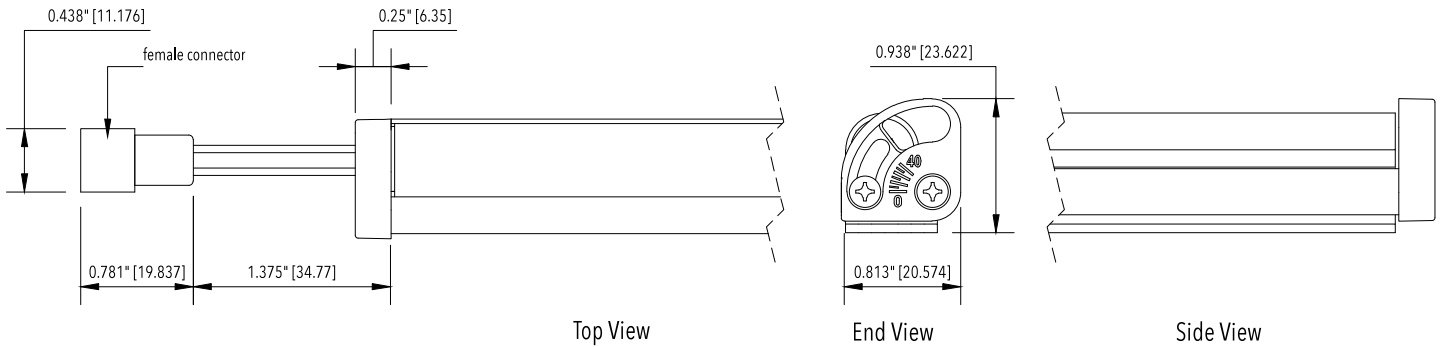
PROJECT: \_\_\_\_\_

FIRM: \_\_\_\_\_



### PRODUCT DIMENSIONS

NOTES: \_\_\_\_\_



### SPECIFY

Example: **EL-CS-H--309U-D-A060000**

<b>EL</b>	-	<b>CS-</b>	<b>H</b>	--		-		-	<b>A</b>	
-----------	---	------------	----------	----	--	---	--	---	----------	--

#### PRODUCT

- COLOR TEMPERATURE**
- 20 8** 2000K\*
  - 22 8** 2200K\*
  - 24 8** 2400K\*
  - 27 9** 2700K
  - 30 9** 3000K
  - 35 9** 3500K
  - 40 9** 4000K
  - 45 9** 4500K\*
  - 50 9** 5000K\*

#### COATING

- Uncoated Standard
- for damp location specify:*
- C** Coated

#### CONNECTION

- D** Dead End
- E** End to End

#### LENGTH

Please specify nominal length in 3" increments up to 72"

\*CRI 85 nominal, may require additional lead time

### ACCESSORIES

<b>PS</b>				<b>2--</b>	
<b>JUMPERS</b>					

**POWER SUPPLIES** Complete information can be found on Power Supply Spec Pages

UL CLASS 2	IP65	INPUT 110-277 VAC
RATED POWER RUN LENGTH PER SUPPLY*		
PS060X277-	60 W	12.2 ft (3.7 m)
PS100X277-	100 W	20.3 ft (6.2 m)
PS100-ELV-	100 W	20.3 ft (6.2 m)
INTEGRAL J-BOX		
PS100-277-	100 W	20.3 ft (6.2 m)

\*Quantity of Power Supplies may change based upon layout.