

OPTOLUM

TYPE:

T: 480-968-2500
F: 480-968-3005

1407 W 10th Place Suite 107
Tempe, AZ 85018

BRITELINE CASELINE

HIGHLIGHTS

STANDARD **CRI 90+** NOMINAL

DATE: _____

Precise Aiming Magnetic Mount	Lumen Output*	525.5 Lm/ft (1724 Lm/m)	*Product tested at 3000K, 90+CRI
	Power Consumption**	7.41 W/ft (24.32 W/m)	** Wattage is inclusive of power supply
	Efficacy	71 Lm/W	50,000 hours of maintenance of 70% Lumen output at 25 °C
	Input Voltage	24 VDC	

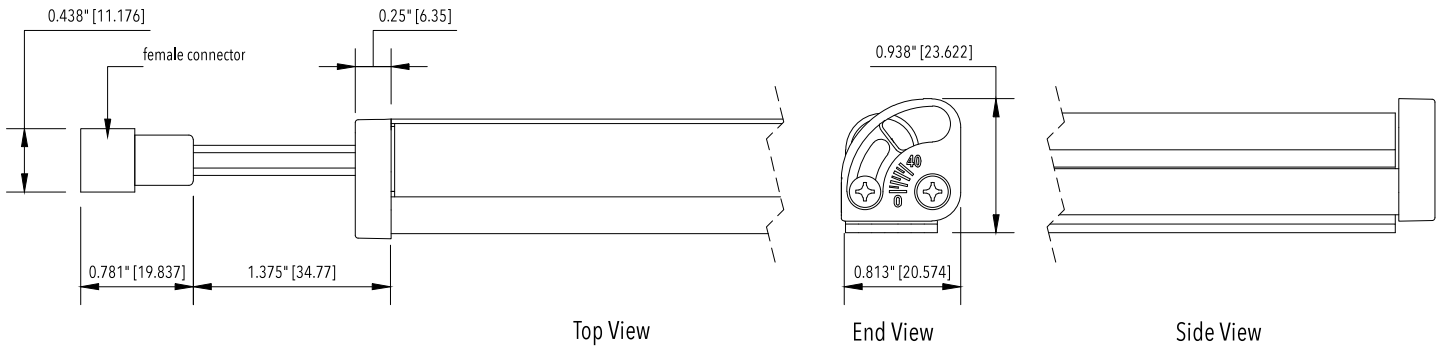
PROJECT: _____

FIRM: _____



PRODUCT DIMENSIONS

NOTES: _____



SPECIFY

Example: **BL-CL----309USD-A060000**

B2 - **CL-** - - - - - **A**

PRODUCT

COLOR TEMPERATURE

- 22 8** 2200K*
- 24 8** 2400K*
- 27 9** 2700K
- 30 9** 3000K
- 35 9** 3500K
- 40 9** 4000K
- 45 9** 4500K*
- 50 9** 5000K*

*CRI 85 nominal,
may require additional lead time

COATING

- U** Uncoated Standard
- for damp location specify:*
- C** Coated

CONNECTION

- D** Dead End
- E** End to End

LENGTH

Please specify nominal length in 3" increments up to 72"

ACCESSORIES

PS _____ **2--** _____

JUMPERS

POWER SUPPLIES Complete information can be found on Power Supply Spec Pages

UL CLASS 2	IP65	INPUT 110-277 VAC
-------------------	-------------	--------------------------

	RATED POWER	RUN LENGTH PER SUPPLY
PS060X277-	60 W	7.7 ft (2.4 m)
PS100X277-	100 W	12.8 ft (3.9 m)
PS100-ELV-	100 W	12.8 ft (3.9 m)

INTEGRAL J-BOX

PS100-277-	100 W	12.8 ft (3.9 m)
-------------------	-------	-----------------

*Quantity of Power Supplies may change based upon layout.