

OPTOLUM

TYPE:

T: 480-968-2500
F: 480-968-3005

1407 W 10th Place Suite 107
Tempe, AZ 85018

ECOLINE CASELINE MO

HIGHLIGHTS

STANDARD **CRI 90+** NOMINAL

DATE: _____

Precise Aiming Magnetic Mount	Lumen Output*	235.4 Lm/ft (772 Lm/m)	*Product tested at 3000K, 90+CRI
	Power Consumption**	2.96 W/ft (9.71 W/m)	** Wattage is inclusive of power supply
	Efficacy	80 Lm/W	50,000 hours of maintenance of 70% Lumen output at 25 °C
	Input Voltage	24 VDC	

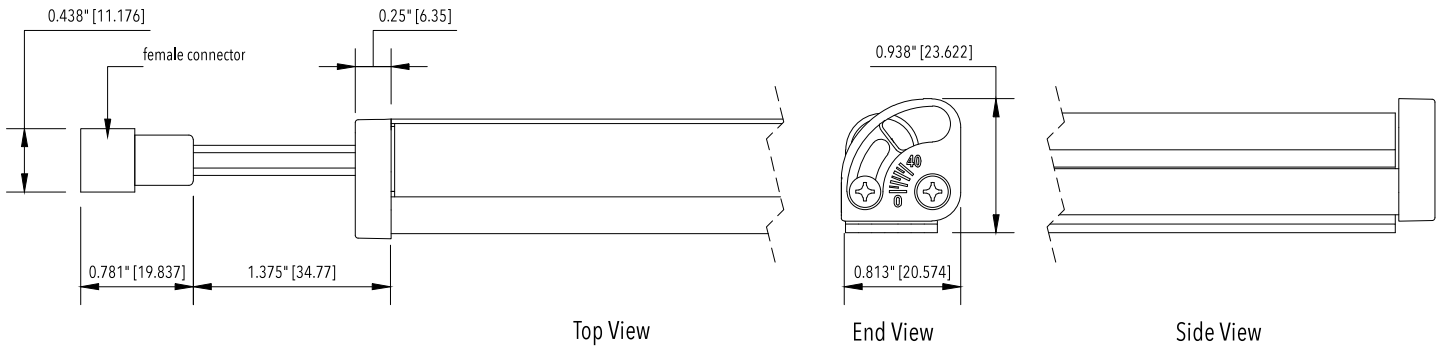
PROJECT: _____

FIRM: _____



PRODUCT DIMENSIONS

NOTES: _____



SPECIFY

Example: **EL-CS-M--309U-D-A060000**

EL	-	CS-	M	--		-		-	A	
-----------	---	------------	----------	----	--	---	--	---	----------	--

PRODUCT

COLOR TEMPERATURE

- 20 8** 2000K*
- 22 8** 2200K*
- 24 8** 2400K*
- 27 9** 2700K
- 30 9** 3000K
- 35 9** 3500K
- 40 9** 4000K
- 45 9** 4500K*
- 50 9** 5000K*

*CRI 85 nominal, may require additional lead time

COATING

- Uncoated Standard
- for damp location specify:
- C** Coated

CONNECTION

- D** Dead End
- E** End to End

LENGTH

Please specify nominal length in 4" increments up to 72"

ACCESSORIES

PS				2--	
JUMPERS					

POWER SUPPLIES Complete information can be found on Power Supply Spec Pages

UL CLASS 2	IP65	INPUT 110-277 VAC
RATED POWER RUN LENGTH PER SUPPLY*		
PS060X277-	60 W	19.3 ft (5.9 m)
PS100X277-	100 W	32.1 ft (9.8 m)
PS100-ELV-	100 W	32.1 ft (9.8 m)
INTEGRAL J-BOX		
PS100-277-	100 W	32.1 ft (9.8 m)

*Quantity of Power Supplies may change based upon layout.