

OPTOLUM H-CHANNEL INSTALLATION

NOTES:

1. DETERMINE LOCATION OF FIXTURES.
2. MARK HOLE LOCATIONS FOR MOUNTING PLATES BASED ON FIXTURE LENGTHS AND LOCATIONS.
3. SLIDE TAB ON MOUNTING PLATE INTO SLOT ON ONE END OF FIXTURE AS SHOWN. NOTE: END MOUNTS CAN BE USED ON THE END OF A FIXTURE RUN FOR A CLEAN FINISHED LOOK. SEE PAGE 2 FOR OPTIONS.
4. USE A #8 SCREW TO SECURE MOUNTING PLATES. SCREW TYPE AND LENGTH SHOULD BE CHOSEN BASED ON MOUNTING SURFACE MATERIAL AND THICKNESS. (NOTE: TAMPER-RESISTANT SCREWS MAY BE USED).
5. REPEAT STEPS 3 AND 4 AS REQUIRED BASED ON NUMBER OF FIXTURES IN A FIXTURE RUN. (NOTE: ONE MOUNTING PLATE IS REQUIRED IN BETWEEN FIXTURES IS REQUIRED, AND ONE MOUNTING PLATE ON EACH END OF A FIXTURE RUN IS REQUIRED TO SECURE THE FIXTURES IN PLACE. (NOTE: SEE PAGE 2 FOR MOUNTING PLATE OPTIONS, DEPENDING ON DESIRED FIXTURE ORIENTATION).
6. CONNECT MALE AND FEMALE CONNECTORS TOGETHER. ENSURE THAT THE CONNECTORS ARE COMPLETELY ENGAGED AND SECURED TOGETHER.
7. CONNECT FIXTURE RUN TO REMOTE POWER SUPPLY.

REVISIONS			
REV.	DESCRIPTION	DATE	APPROVED
A	INSTALLATION DRAWING	09/12/2013	RS
B	ADDED SHEET FOR INSTALLATION WITH IDC CONNECTORS	06/30/2016	JC

D

D

C

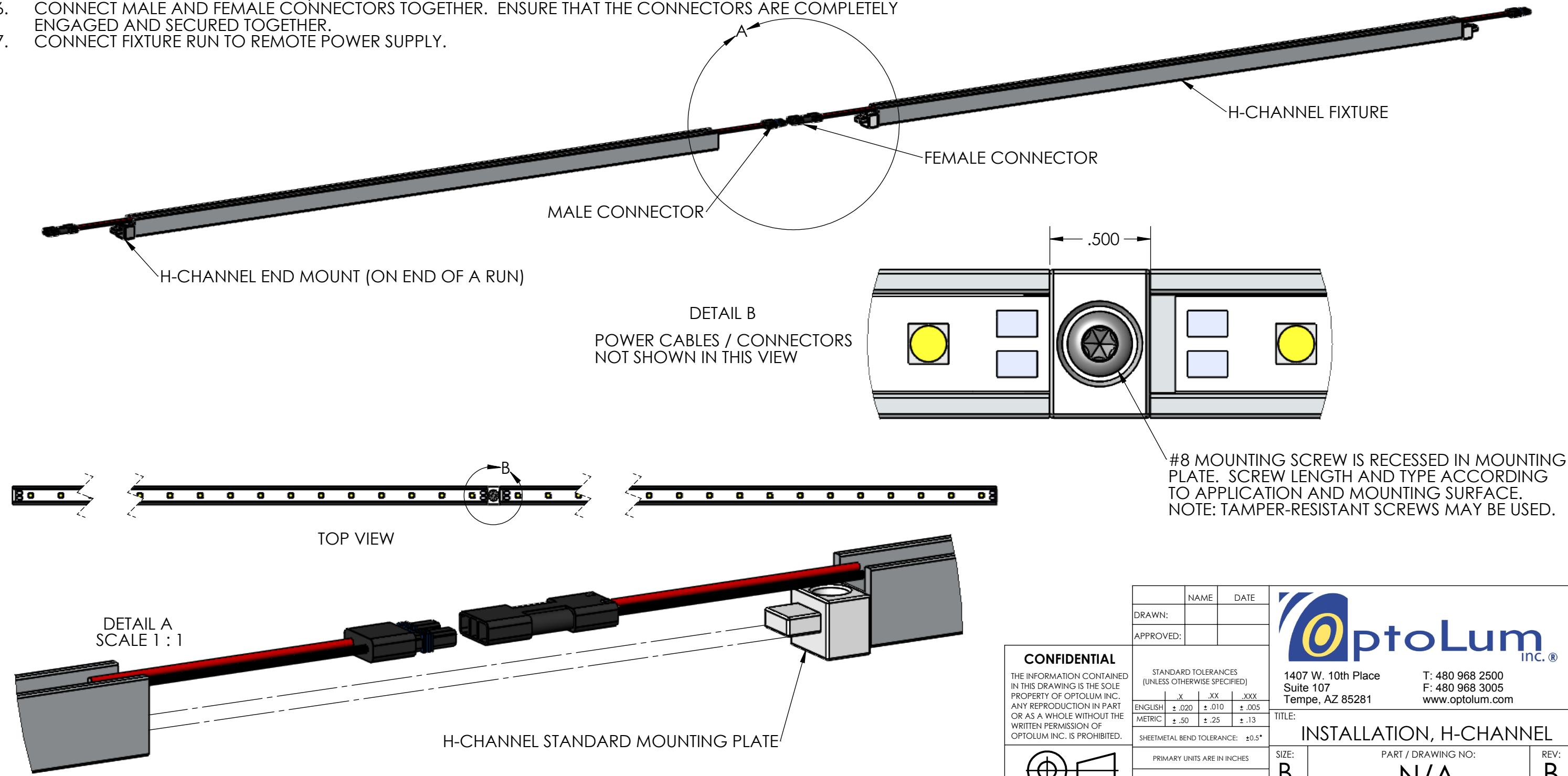
C

B

B

A

A



#8 MOUNTING SCREW IS RECESSED IN MOUNTING PLATE. SCREW LENGTH AND TYPE ACCORDING TO APPLICATION AND MOUNTING SURFACE. NOTE: TAMPER-RESISTANT SCREWS MAY BE USED.

CONFIDENTIAL
 THE INFORMATION CONTAINED IN THIS DRAWING IS THE SOLE PROPERTY OF OPTOLUM INC. ANY REPRODUCTION IN PART OR AS A WHOLE WITHOUT THE WRITTEN PERMISSION OF OPTOLUM INC. IS PROHIBITED.

	NAME	DATE
DRAWN:		
APPROVED:		

STANDARD TOLERANCES (UNLESS OTHERWISE SPECIFIED)			
	.X	.XX	.XXX
ENGLISH	± .020	± .010	± .005
METRIC	± .50	± .25	± .13

SHEETMETAL BEND TOLERANCE: ±0.5°

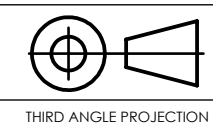
PRIMARY UNITS ARE IN INCHES

UNLESS OTHERWISE SPECIFIED DIMENSIONS AND TOLERANCES ARE IAW ANSI Y14.5 M-1994.

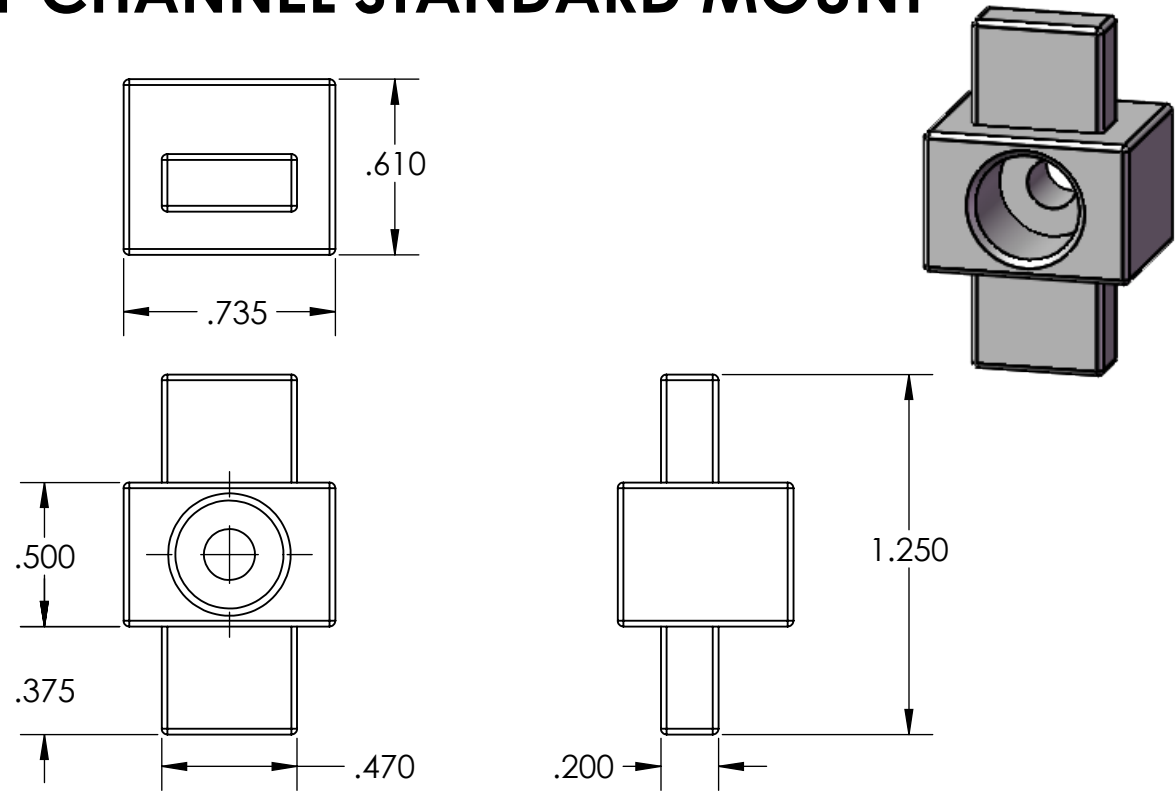
1407 W. 10th Place
 Suite 107
 Tempe, AZ 85281

T: 480 968 2500
 F: 480 968 3005
 www.optolum.com

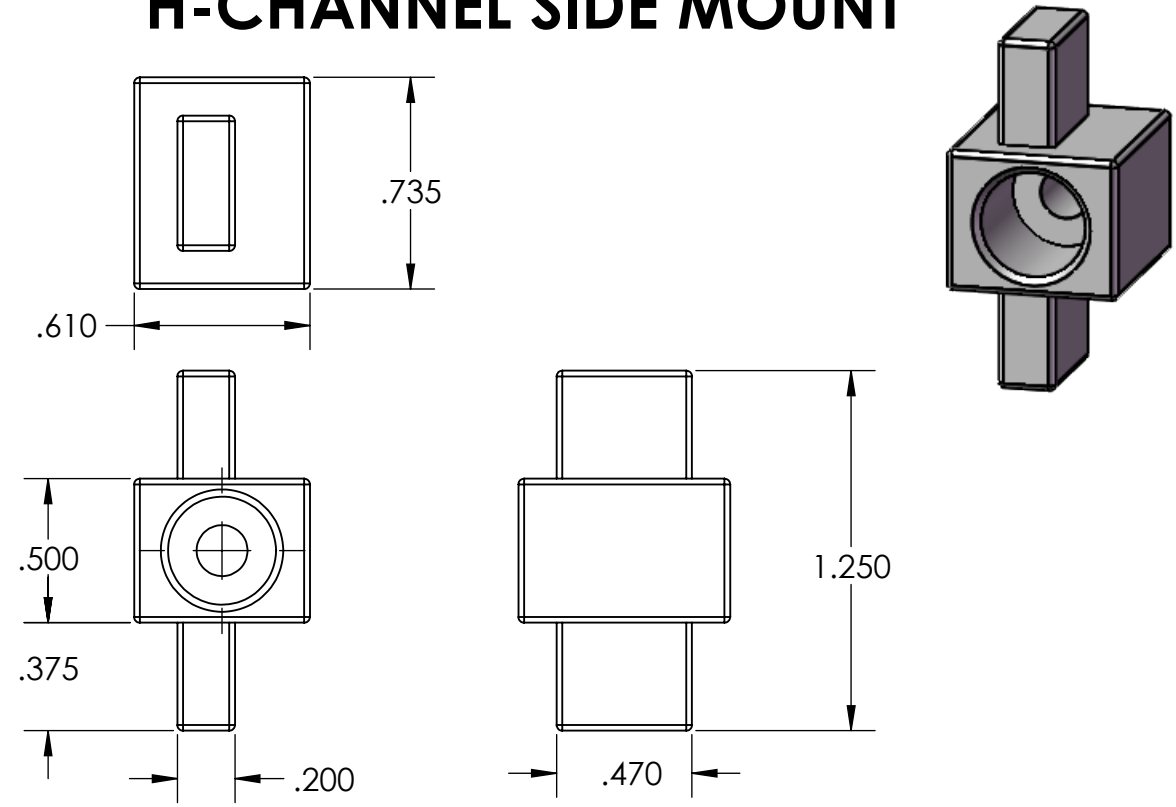
TITLE: INSTALLATION, H-CHANNEL		
SIZE: B	PART / DRAWING NO: N/A	REV: B
SCALE: NTS		SHEET: 1 OF 4



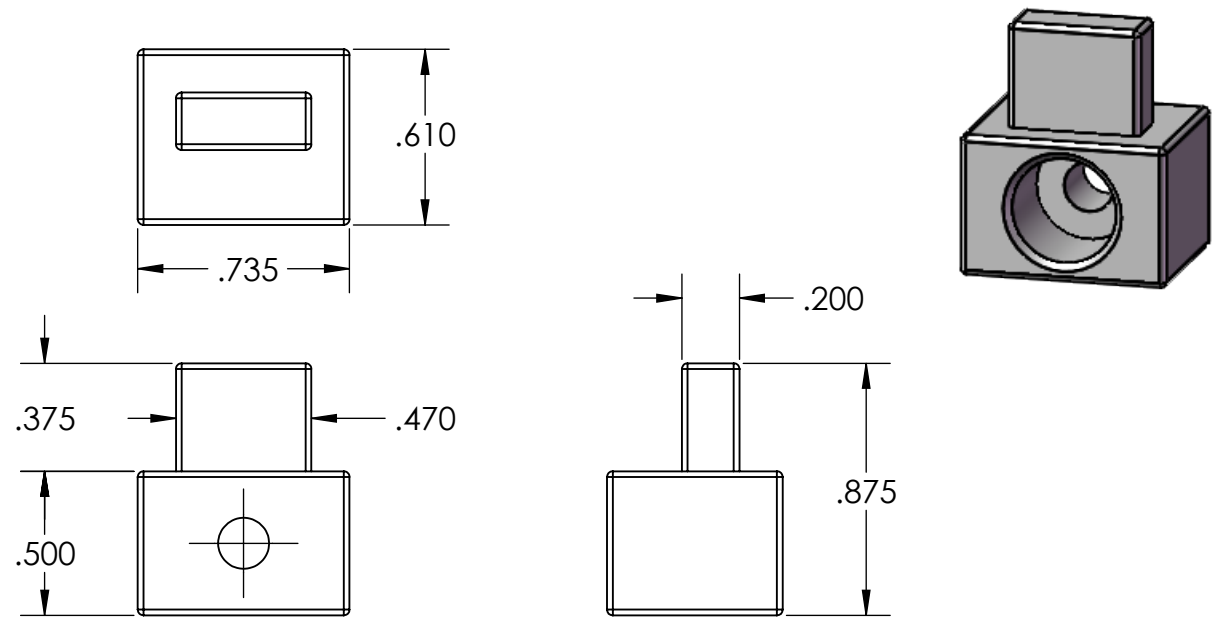
H-CHANNEL STANDARD MOUNT



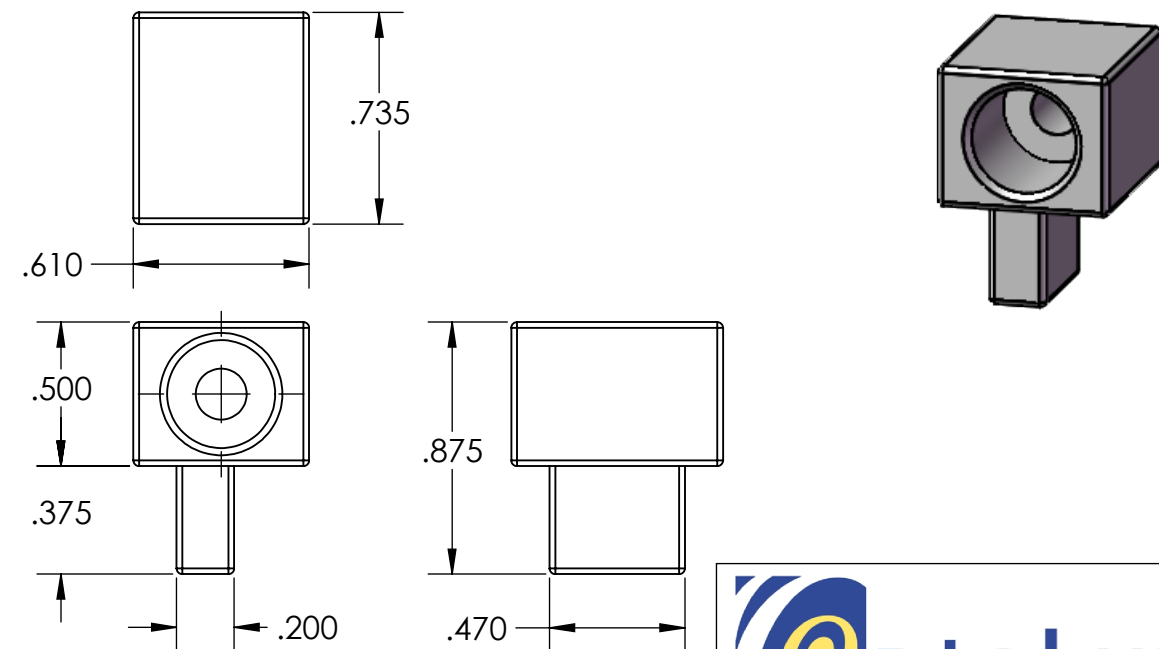
H-CHANNEL SIDE MOUNT



H-CHANNEL STANDARD END MOUNT



H-CHANNEL END SIDE MOUNT



CONFIDENTIAL

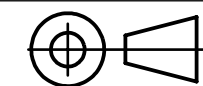
THE INFORMATION CONTAINED IN THIS DRAWING IS THE SOLE PROPERTY OF OPTOLUM INC. ANY REPRODUCTION IN PART OR AS A WHOLE WITHOUT THE WRITTEN PERMISSION OF OPTOLUM INC. IS PROHIBITED.



1407 W. 10th Place
Suite 107
Tempe, AZ 85281

T: 480 968 2500
F: 480 968 3005
www.optolum.com

TITLE:
ASSEMBLY, H-CHANNEL



THIRD ANGLE PROJECTION

SIZE:
B

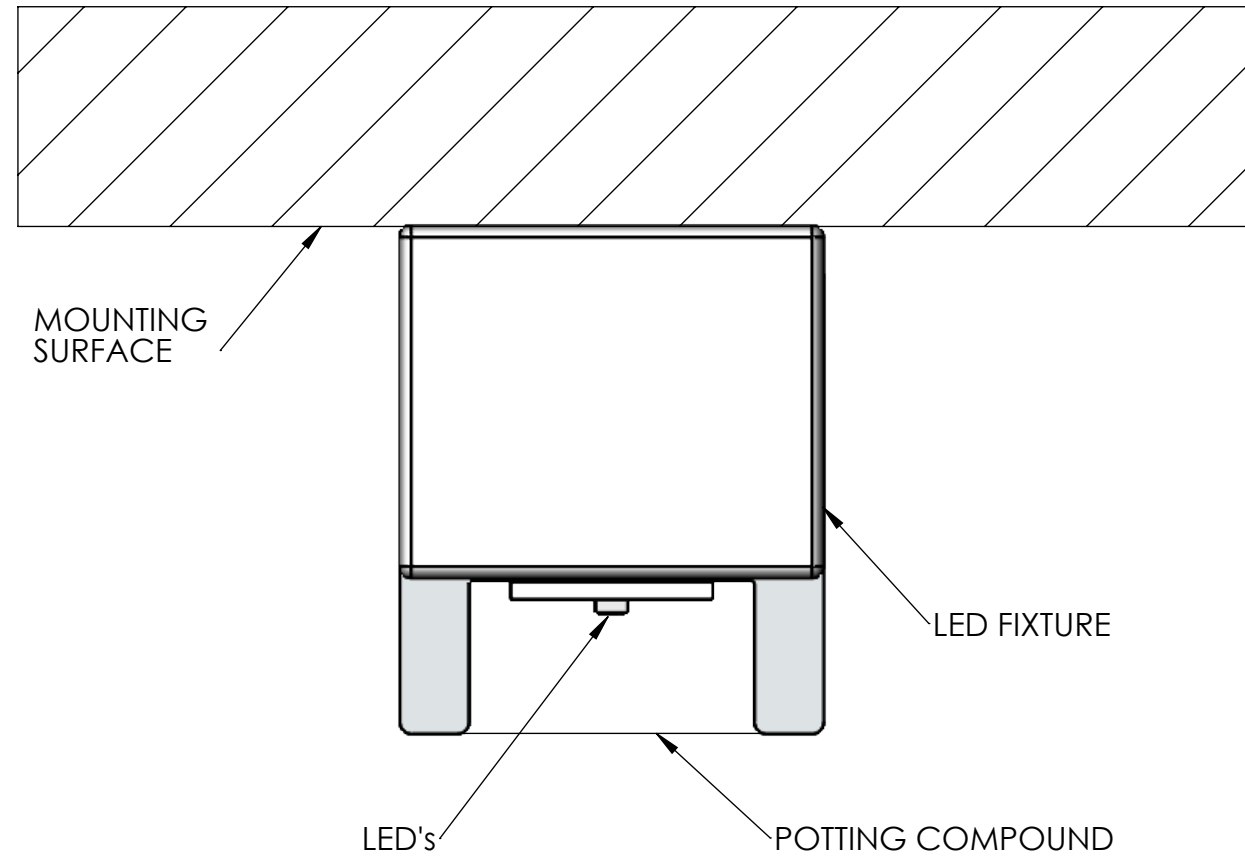
PART / DRAWING NO:
N/A

REV:
B

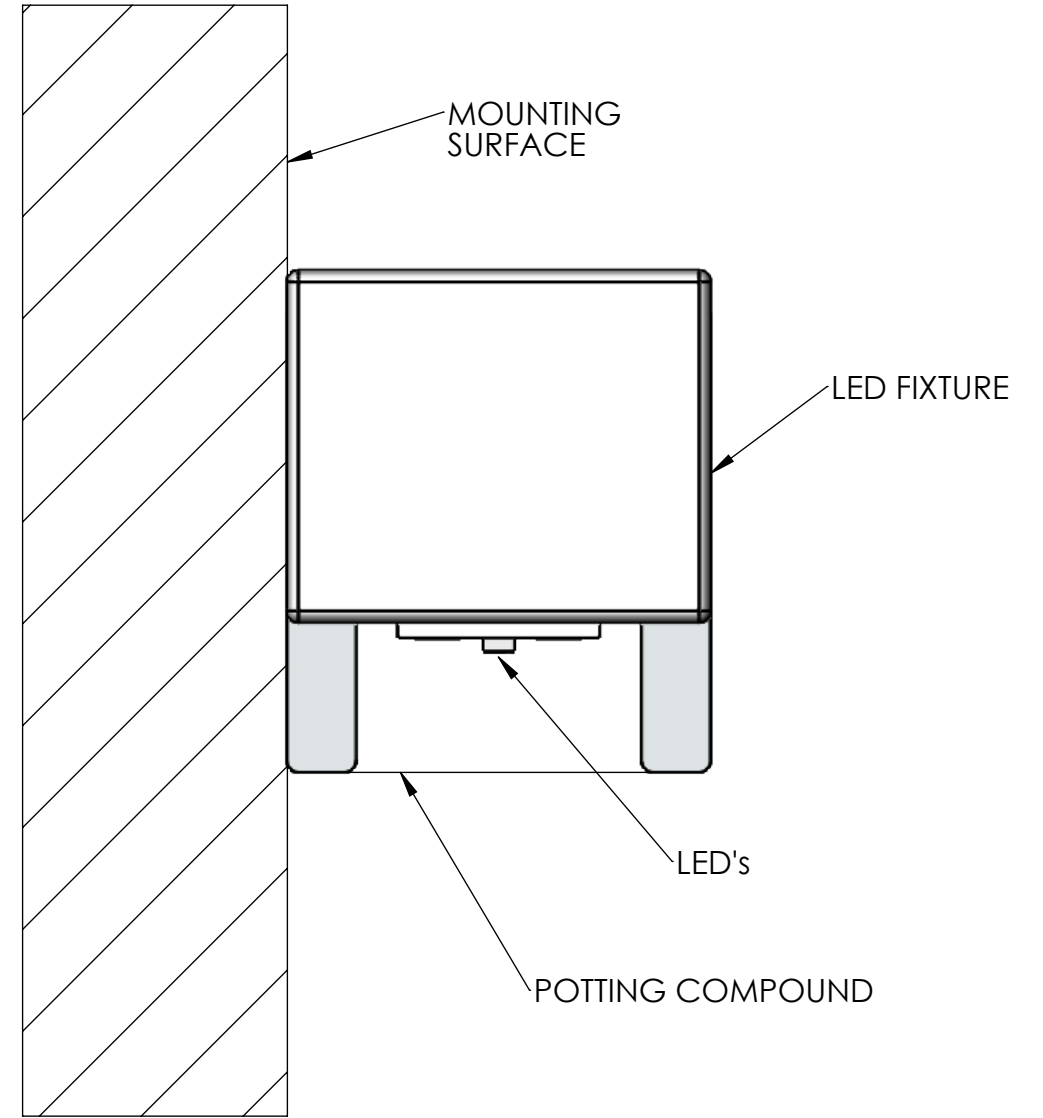
SCALE: 1.5:1

SHEET: 2 OF 4

H-CHANNEL STANDARD MOUNT



H-CHANNEL SIDE MOUNT

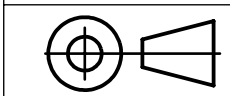


1407 W. 10th Place
Suite 107
Tempe, AZ 85281

T: 480 968 2500
F: 480 968 3005
www.optolum.com

CONFIDENTIAL
THE INFORMATION CONTAINED
IN THIS DRAWING IS THE SOLE
PROPERTY OF OPTOLUM INC.
ANY REPRODUCTION IN PART
OR AS A WHOLE WITHOUT THE
WRITTEN PERMISSION OF
OPTOLUM INC. IS PROHIBITED.

TITLE:
ASSEMBLY, H-CHANNEL



THIRD ANGLE PROJECTION

SIZE:
B

PART / DRAWING NO:
N/A

REV:
B

SCALE: 1.5:1

SHEET: 3 OF 4

OPTOLUM H-CHANNEL INSTALLATION (IDC CONNECTORS)

NOTES:

1. DETERMINE LOCATION OF FIXTURES.
2. MARK HOLE LOCATIONS FOR MOUNTING PLATES BASED ON FIXTURE LENGTHS AND LOCATIONS.
3. SLIDE TAB ON MOUNTING PLATE INTO SLOT ON ONE END OF FIXTURE AS SHOWN. NOTE: END MOUNTS CAN BE USED ON THE END OF A FIXTURE RUN FOR A CLEAN FINISHED LOOK. SEE PAGE 2 FOR OPTIONS.
4. USE A #8 SCREW TO SECURE MOUNTING PLATES. SCREW TYPE AND LENGTH SHOULD BE CHOSEN BASED ON MOUNTING SURFACE MATERIAL AND THICKNESS. (NOTE: TAMPER-RESISTANT SCREWS MAY BE USED).
5. REPEAT STEPS 3 AND 4 AS REQUIRED BASED ON NUMBER OF FIXTURES IN A FIXTURE RUN. (NOTE: ONE MOUNTING PLATE IS REQUIRED IN BETWEEN FIXTURES IS REQUIRED, AND ONE MOUNTING PLATE ON EACH END OF A FIXTURE RUN IS REQUIRED TO SECURE THE FIXTURES IN PLACE. (NOTE: SEE PAGE 2 FOR MOUNTING PLATE OPTIONS, DEPENDING ON DESIRED FIXTURE ORIENTATION)).
6. CONNECT CORRESPONDING WIRES USING 3M SCOTCHLOK 3161R CONNECTORS PER INCLUDED INSTRUCTIONS
7. CONNECT FIXTURE RUN TO REMOTE POWER SUPPLY USING 3M SCOTCHLOK 3161R CONNECTORS.

D

D

C

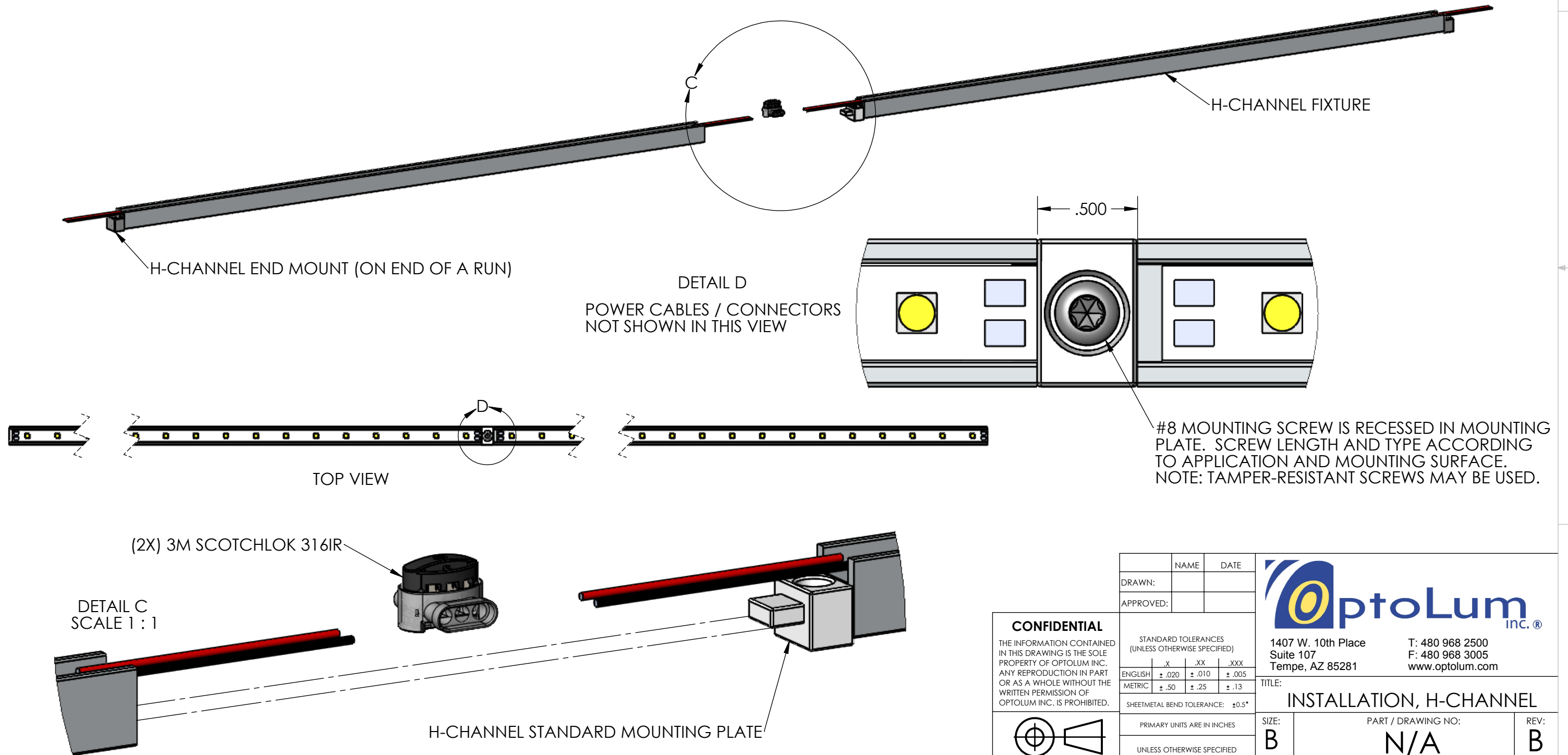
C

B

B

A

A

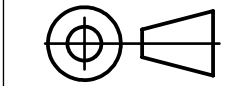


(2X) 3M SCOTCHLOK 3161R

DETAIL C
SCALE 1 : 1

H-CHANNEL STANDARD MOUNTING PLATE

CONFIDENTIAL
THE INFORMATION CONTAINED IN THIS DRAWING IS THE SOLE PROPERTY OF OPTOLUM INC. ANY REPRODUCTION IN PART OR AS A WHOLE WITHOUT THE WRITTEN PERMISSION OF OPTOLUM INC. IS PROHIBITED.



THIRD ANGLE PROJECTION

	NAME	DATE
DRAWN:		
APPROVED:		

STANDARD TOLERANCES (UNLESS OTHERWISE SPECIFIED)			
	.X	.XX	.XXX
ENGLISH	±.020	±.010	±.005
METRIC	±.50	±.25	±.13
SHEETMETAL BEND TOLERANCE: ±0.5°			

PRIMARY UNITS ARE IN INCHES
UNLESS OTHERWISE SPECIFIED DIMENSIONS AND TOLERANCES ARE IAW ANSI Y14.5 M-1994.

1407 W. 10th Place
Suite 107
Tempe, AZ 85281

T: 480 968 2500
F: 480 968 3005
www.optolum.com

TITLE: **INSTALLATION, H-CHANNEL**

SIZE: B	PART / DRAWING NO: N/A	REV: B
----------------	-------------------------------	---------------

SCALE: NTS SHEET: 4 OF 4