

OPTOLUM

TYPE:

T: 480-968-2500
F: 480-968-3005

1407 W 10th Place Suite 107
Tempe, AZ 85018

ECOLINE H-CHANNEL LO

HIGHLIGHTS

STANDARD **CRI 90+** NOMINAL

DATE: _____

Wet Location	Power Consumption 2.26 W/ft (7.41 W/m)**	IP 67	** Wattage is inclusive of power supply
	Input Voltage 24 VDC		50,000 hours of maintenance of 70% Lumen output at 25 °C

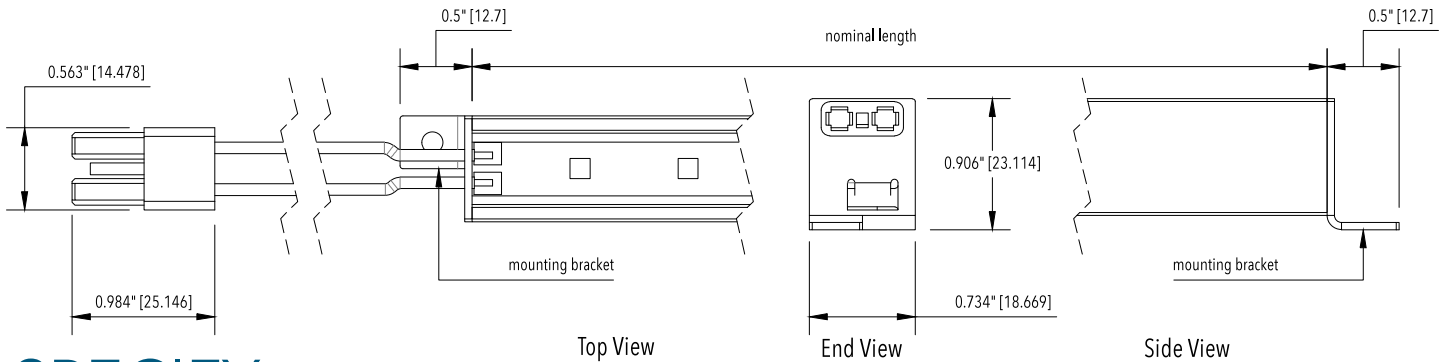


PROJECT: _____

FIRM: _____

PRODUCT DIMENSIONS

NOTES: _____



SPECIFY

Example: **EL-HCZL-309-D-060000**

EL - **HCZ** **L** .. [] - [] - [] - []

PRODUCT

COLOR TEMPERATURE

- 20 8** 2000K*
- 22 8** 2200K*
- 24 8** 2400K*
- 27 9** 2700K
- 30 9** 3000K
- 35 9** 3500K
- 40 9** 4000K
- 45 9** 4500K*
- 50 9** 5000K*

*CRI 85 nominal, may require additional lead time

CONNECTION

- D** Dead End
- E** End to End

LENGTH

Please specify nominal length in 6" increments up to 60"

ACCESSORIES

PS [] [] [] **2--** []

JUMPERS

POWER SUPPLIES Complete information can be found on Power Supply Spec Pages

UL CLASS 2	IP65	INPUT 110-277 VAC
RATED POWER RUN LENGTH PER SUPPLY*		
PS060X277-	60 W	25.2 ft (7.7 m)
PS100X277-	100 W	42.0 ft (12.8 m)
PS100-ELV-	100 W	42.0 ft (12.8 m)
INTEGRAL J-BOX		
PS100-277-	100 W	42.0 ft (12.8 m)

*Quantity of Power Supplies may change based upon layout.