

TYPE PROJECT FIRM DATE

### ILINE ACCENT

Point Source



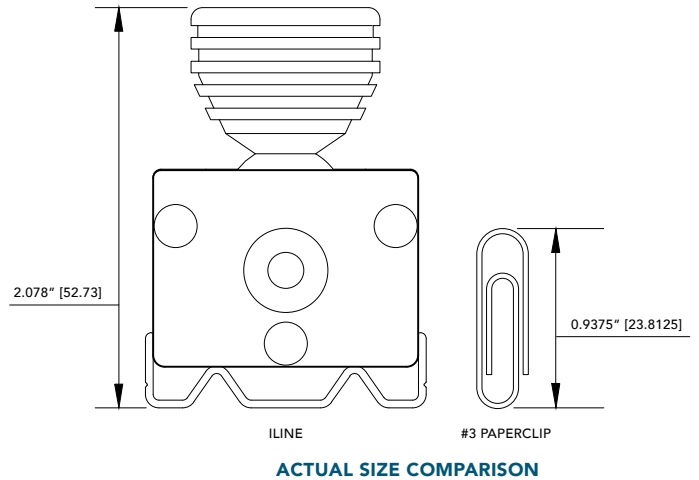
iLine Accent pairs aimable iSpot heads with linear LED infill strips to provide balanced accent lighting. Linear strips and Spot head placement can be specified along with beam spread and color temperature. This unique fixture is ideal for retail and display projects.

- + Standard CRI 90+ Nominal



|                        | ILINE ACCENT              |
|------------------------|---------------------------|
| Lumen Output*          | 382 lm/ft                 |
| Power Consumption**    | 10.34 W/ft                |
| Efficacy               | 37 lm/W                   |
| Input Voltage          | 24 VDC                    |
| Dimensions (L x W x H) | 18" x 2.078" x 1.46"      |
| Full Width Half Max    | 60°(H) x 80°(V)           |
| Uniformity             | 3-Step MacAdam Ellipse    |
| Operating Temp         | 50°C (122°F) Max          |
| Materials              | Extruded Aluminium        |
| Dimming                | Flicker-Free down to 0.1% |

\* Data has been interpolated from the LM 79 testing of similar OPTOLUM products at 3000K and 90+ CRI, actual values may differ  
 \*\* Wattage is inclusive of power supply  
 50,000 hours of maintenance of 70% Lumen output at 25°C  
 Fixture used is 18" long with 3 spot heads and 2 qty 3.78" Finelite HO linear board



ACTUAL SIZE COMPARISON

### ILINE ACCENT ORDERING CODE Example: ILA12279102ELSLO279SA12

| PRODUCT          | OPTIC      | COLOR TEMP  | QTY HEADS            | SPACING HEADS   | INTENSITY ACCENT | LED COLOR ACCENT | LENS ACCENT | FINISH   | LENGTH |
|------------------|------------|-------------|----------------------|---|------------------|------------------|-------------|--|--------|
| ILA ILINE Accent | 14 14°     | 27 9 2700K  | 1.5" O.C.<br>Minimum | *please provide a layout sketch and coordinate complex spacing arrangements with your OptoLum rep | FL HO HO         | 27 9 2700K       | S Standard  | A Natural<br>Clear<br>C Black*<br>D Medium<br>Bronze*<br>O Custom* |        |
|                  | 16 16°     | 30 9 3000K  |                      |   | FL LO LO         | 30 9 3000K       | O Opal      |  |        |
|                  | 24 24°     | 35 9 3500K  |                      |   |                  | 35 9 3500K       |             |  |        |
|                  | 48 48°     | 40 9 4000K* |                      |   |                  | 40 9 4000K*      |             |  |        |
|                  | EL 40°x14° | 45 9 4500K* |                      |   |                  | 45 9 4500K*      |             |  |        |
|                  |            | 50 9 5000K* |                      | 50 9 5000K*   |                  |                  |             |  |        |

\*special order color

\*special order color

\*nonstandard finishes available for additional cost

### ILINE ACCENT ACCESSORIES

|    | SUPPLY  | DIMMING                      | # OF LEADS  | IP RATING | JUMPERS   |
|----|---|------------------------------|-------------|-----------|---|
| PS | 060X277<br>100X277<br>40-ELV*<br>60-ELV*<br>100-ELV*<br>100-277 | 0-10V<br>TRIAC*              | 1<br>2<br>3 | 65<br>67  | 1'-0" (30.5 cm)<br>2'-0" (61.0 cm)<br>5'-0" (152.4 cm)<br>11'-0" (335.3 cm)<br>NO JUMPERS |
|    | *Available only with TRIAC                                      | *Available only with 100-ELV |             |           | *Jumpers are included with 0-10V; For ELV/TRIAC, select jumper from Power Supplies list   |

TYPE \_\_\_\_\_ PROJECT \_\_\_\_\_ FIRM \_\_\_\_\_ DATE \_\_\_\_\_

### ILINE ACCENT POWER SUPPLIES Complete information can be found on Power Supply Spec Pages

| UL CLASS 2                 | IP65 RATED POWER |
|----------------------------|------------------|
| PS060X277                  | 60 W             |
| PS100X277                  | 100 W            |
| PS40-ELV*                  | 40 W             |
| PS60-ELV*                  | 60 W             |
| PS100-ELV*                 | 100 W            |
| PS100-277 (INTEGRAL J-BOX) | 100 W            |

\*80% Min Load Required

| MLV             | IP67  |
|-----------------|-------|
| PS M20L24DC-AR  | 20 W  |
| PS M40L24DC-AR  | 40 W  |
| PS M60L24DC-AR  | 60 W  |
| PS M100L24DC-AR | 100 W |

| LUTRON  | DRY/DAMP RATING |
|---|-----------------|
| PS L3D0-96W24V – High Lume Premier; Compatible with EcoSystem 3 Wire Controls | 96 W            |
| PS L3DA4U1UKL – High Lume EcoSystem/ 3 wire L3D J/Box                         | 40 W            |
| PS LTEA4U1UKL – High Lume EcoSystem/ 2 wire J/Box                             | 40 W            |
| PS L3DA4U1UKx – High Lume EcoSystem/ 3 wire L3D                               | 40 W            |
| PS LTEA4U1UKx – High Lume EcoSystem/ 2 wire                                   | 40 W            |

### ILINE ACCENT PRODUCT DIMENSIONS

