

OPTOLUM

TYPE:

T: 480-968-2500
F: 480-968-3005

1407 W 10th Place Suite 107
Tempe, AZ 85018

BRITELINE LOW PROFILE

HIGHLIGHTS

STANDARD **CRI 90+** NOMINAL

DATE: _____

Minimal Clearance

Lumen Output*	524.3 Lm/ft (1720 Lm/m)	*Product tested at 3000K, 90+CRI
Power Consumption**	7.41 W/ft (24.32 W/m)	** Wattage is inclusive of power supply
Efficacy	71 Lm/W	50,000 hours of maintenance of 70% Lumen output at 25 °C
Input Voltage	24 VDC	

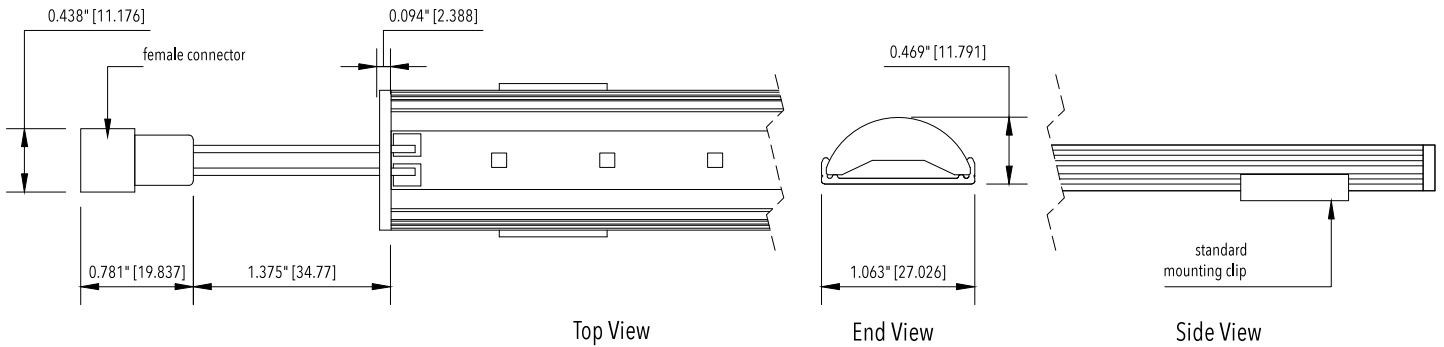


PROJECT: _____

FIRM: _____

PRODUCT DIMENSIONS

NOTES: _____



SPECIFY

Example: **BL-LP----309USD-A060000**

B2	-	LP-	-	-	-	-	-	-	-
-----------	---	------------	---	---	---	---	---	---	---

PRODUCT

COLOR TEMPERATURE

- 22 8** 2200K*
- 24 8** 2400K*
- 27 9** 2700K
- 30 9** 3000K
- 35 9** 3500K
- 40 9** 4000K
- 45 9** 4500K*
- 50 9** 5000K*

*CRI 85 nominal, may require additional lead time

COATING

- U** Uncoated Standard
- for damp location specify:*
- C** Coated

LENS

- S** Standard
- O** Opal

CONNECTION

- D** Dead End
- E** End to End

FINISH

- A** Natural
 - C** Black*
 - D** Bronze*
- *Special order available for additional cost

LENGTH

Please specify nominal length in 3" increments up to 120"

ACCESSORIES

PS				2--	
JUMPERS					

POWER SUPPLIES Complete information can be found on Power Supply Spec Pages

UL CLASS 2	IP65	INPUT 110-277 VAC
-------------------	-------------	--------------------------

	RATED POWER	RUN LENGTH PER SUPPLY
PS060X277-	60 W	7.7 ft (2.4 m)
PS100X277-	100 W	12.8 ft (3.9 m)
PS100-ELV-	100 W	12.8 ft (3.9 m)

INTEGRAL J-BOX

PS100-277-	100 W	12.8 ft (3.9 m)
-------------------	-------	-----------------

*Quantity of Power Supplies may change based upon layout.