

# OPTOLUM

TYPE:

T: 480-968-2500  
F: 480-968-3005

1407 W 10th Place Suite 107  
Tempe, AZ 85018

## ECOLINE LOW PROFILE HO

### HIGHLIGHTS

STANDARD **CRI 90+** NOMINAL

DATE: \_\_\_\_\_

**Minimal Clearance  
High Output**

Lumen Output*	353.2 Lm/ft(1159 Lm/m)
Power Consumption**	4.68 W/ft 15.35 W/m)
Efficacy	75 Lm/W
Input Voltage	24 VDC

\* Data has been interpolated from the LM 79 testing of similar OptoLum products at 3000K and 90+ CRI, actual values may differ.  
\*\* Wattage is inclusive of power supply.

50,000 hours of maintenance of 70% Lumen output at 25 °C

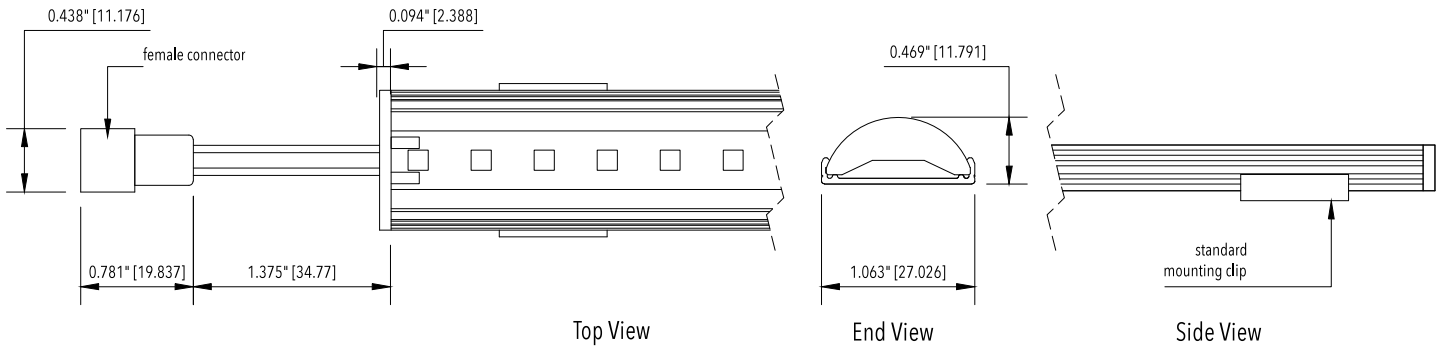


PROJECT: \_\_\_\_\_

FIRM: \_\_\_\_\_

### PRODUCT DIMENSIONS

NOTES: \_\_\_\_\_



### SPECIFY

Example: **EL-LP-H--309USD-A060000**

<b>EL</b>	-	<b>LP-</b>	<b>H</b>	--																
-----------	---	------------	----------	----	--	--	--	--	--	--	--	--	--	--	--	--	--	--	--	--

#### PRODUCT

COLOR TEMPERATURE
<b>20 8</b> 2000K*
<b>22 8</b> 2200K*
<b>24 8</b> 2400K*
<b>27 9</b> 2700K
<b>30 9</b> 3000K
<b>35 9</b> 3500K
<b>40 9</b> 4000K
<b>45 9</b> 4500K*
<b>50 9</b> 5000K*

COATING
<b>U</b> Uncoated Standard
<i>for damp location specify:</i>
<b>C</b> Coated

LENS
<b>S</b> Standard
<b>O</b> Opal

CONNECTION
<b>D</b> Dead End
<b>E</b> End to End

FINISH
<b>A</b> Natural
<b>C</b> Black*
<b>D</b> Bronze*
<i>*Special order available for additional cost</i>

**LENGTH**  
Please specify nominal length in 3" increments up to 120"

\*CRI 85 nominal, may require additional lead time

### ACCESSORIES

<b>PS</b>					<b>2--</b>				
<b>JUMPERS</b>									

**POWER SUPPLIES** Complete information can be found on Power Supply Spec Pages

UL CLASS 2	IP65	INPUT 110-277 VAC
RATED POWER RUN LENGTH PER SUPPLY*		
PS060X277-	60 W	12.2 ft (3.7 m)
PS100X277-	100 W	20.3 ft (6.2 m)
PS100-ELV-	100 W	20.3 ft (6.2 m)
INTEGRAL J-BOX		
PS100-277-	100 W	20.3 ft (6.2 m)

\*Quantity of Power Supplies may change based upon layout.