

OPTOLUM

TYPE:

T: 480-968-2500
F: 480-968-3005

1407 W 10th Place Suite 107
Tempe, AZ 85018

ECOLINE LOW PROFILE LO

HIGHLIGHTS

STANDARD **CRI 90+** NOMINAL

DATE: _____

**Minimal Clearance
Low Wattage**

Lumen Output*	178.6 Lm/ft (586 Lm/m)
Power Consumption**	2.26 W/ft (7.41 W/m)
Efficacy	79 Lm/W
Input Voltage	24 VDC

* Data has been interpolated from the LM 79 testing of similar OptoLum products at 3000K and 90+ CRI, actual values may differ.
** Wattage is inclusive of power supply.

50,000 hours of maintenance of 70% Lumen output at 25 °C

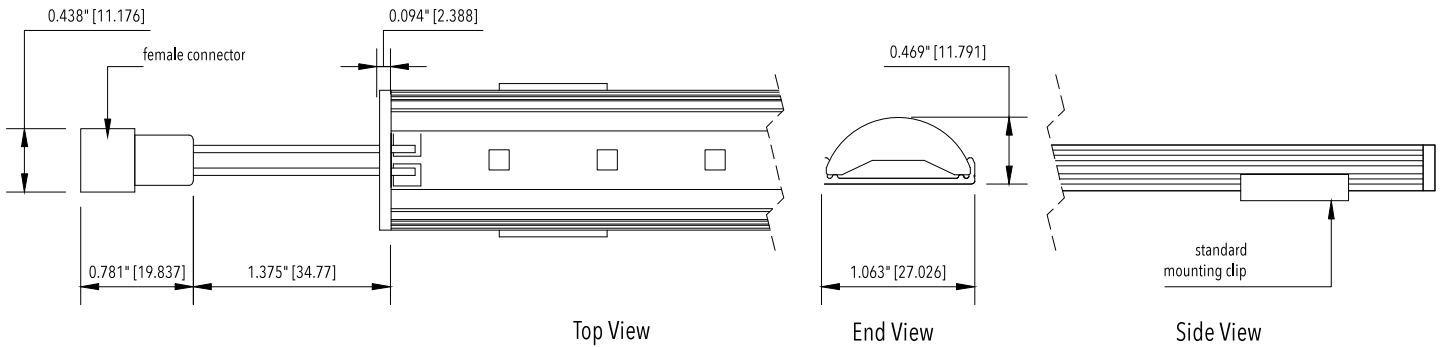


PROJECT: _____

FIRM: _____

PRODUCT DIMENSIONS

NOTES: _____



SPECIFY

Example: **EL-LP-L-309USD-A060000**

EL	-	LP-	L	--																
-----------	---	------------	----------	----	--	--	--	--	--	--	--	--	--	--	--	--	--	--	--	--

PRODUCT

- COLOR TEMPERATURE**
- 20 8** 2000K*
 - 22 8** 2200K*
 - 24 8** 2400K*
 - 27 9** 2700K
 - 30 9** 3000K
 - 35 9** 3500K
 - 40 9** 4000K
 - 45 9** 4500K*
 - 50 9** 5000K*

- COATING**
- U** Uncoated Standard
 - for damp location specify:*
 - C** Coated

- LENS**
- S** Standard
 - O** Opal

- CONNECTION**
- D** Dead End
 - E** End to End

- FINISH**
- A** Natural
 - C** Black*
 - D** Bronze*
- *Special order available for additional cost*

LENGTH

Please specify nominal length in 6" increments up to 120"

*CRI 85 nominal, may require additional lead time

ACCESSORIES

PS					2--	
JUMPERS						

POWER SUPPLIES Complete information can be found on Power Supply Spec Pages

UL CLASS 2	IP65	INPUT 110-277 VAC
RATED POWER RUN LENGTH PER SUPPLY*		
PS060X277-	60 W	25.2 ft (7.7 m)
PS100X277-	100 W	42.0 ft (12.8 m)
PS100-ELV-	100 W	42.0 ft (12.8 m)
INTEGRAL J-BOX		
PS100-277-	100 W	42.0 ft (12.8 m)

*Quantity of Power Supplies may change based upon layout.