

TYPE PROJECT FIRM DATE

OPTOLINE MAX

Grazer

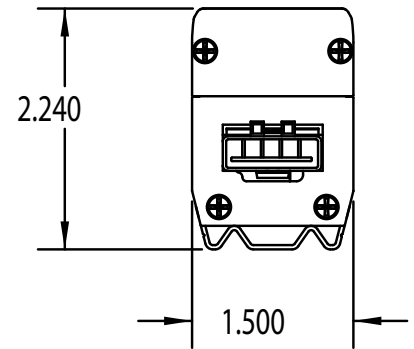


OptoLine Max is our powerful new line voltage offering in a very small package. This series is fully loaded and available with several beam angle options, ideal for any wall or ceiling grazing application.

- + Narrow, Medium, Wide Beam and Elliptical Beam Angles
- + CCT Temps from 2700K-5000K
- + CRI 90+
- + Flicker-Free Dimming



	OPTOLINE MAX LO	OPTOLINE MAX MO	OPTOLINE MAX HO
Lumen Output*	300 lm/ft (900 lm/m)	500 lm/ft (1640 lm/m)	1000 lm/ft (3281 lm/m)
Power Consumption**	4 W/ft (22.97W/m)	6 W/ft (42.65W/m)	10-12 W/ft (42.65W/m)
Efficacy	70 lm/W	85 lm/W	
Input Voltage	120V-277V		
Dimensions (H x W)	2.24" x 1.5"		
Beam Angles	12°, 16°, 24°, 48°, 14° x 40°		
Uniformity	3-Step MacAdam Ellipse		
Operating Temp	25°C (77°F) Max		
Materials	Corrosion Resistant; Anodized Aluminum		
Dimming	Flicker Free Dimming		



* Data has been interpolated from the LM 79 testing of similar OPTOLUM products at 3000K and 90+ CRI, actual values may differ
 ** Wattage is inclusive of power supply
 50,000 hours of maintenance of 70% Lumen output at 25°C

OPTOLINE MAX ORDERING CODE Example: OLM-010VH-L-01122701012400

PRODUCT	PROTOCOL	OUTPUT	MOUNTING	OPTIC	COLOR TEMP	ACCESSORIES	LENS	LENGTH
OLM Optoline Max	010VH Harvard 1% Dim (Standard)	L LO	01 Fixed	12 12°	27 2700K	-- None	01 Standard	2400 24"
	010VE ELDOLED .1% Dim	M MO	Clip	16 16°	30 3000K	01 Louvre		3600 36"
	HL2WI Lutron 2 Wire	H HO	02 Rotational	24 24°	35 3500K			4800 48"
	HLECO Lutron Ecosystem		Clip	48 48°	40 4000K			
			03 Pendant	EL 14° x 40°	45 4500K*			
				50 5000K*				

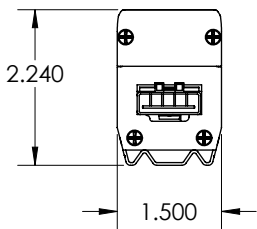
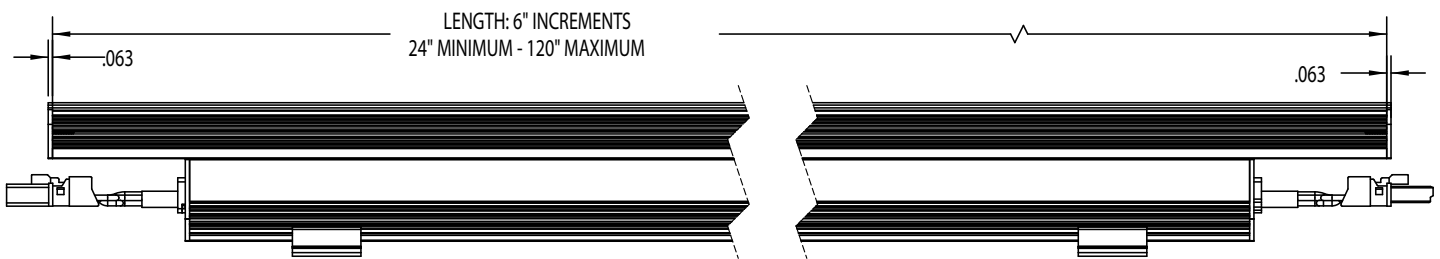
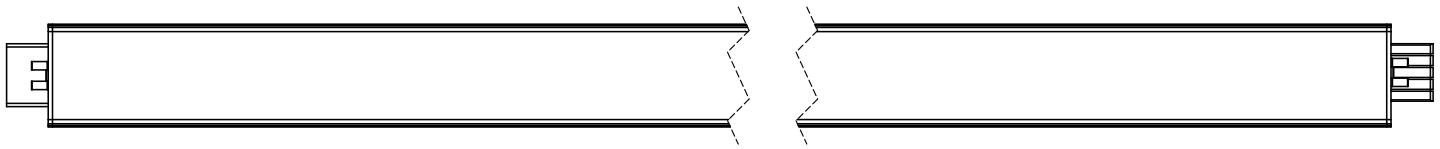
*may require additional lead time

OPTOLINE MAX ACCESSORIES

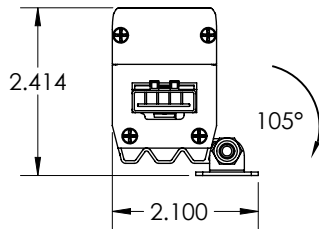
	LENGTH
LDR Leader Cable (Sold Separately)	10'
	LENGTH
JMPR Jumper Cable (Sold Separately)	2' 5' 10'

TYPE _____ PROJECT _____ FIRM _____ DATE _____

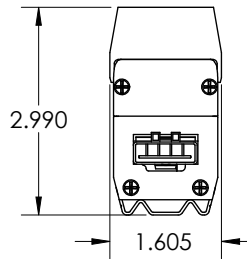
OPTOLINE MAX PRODUCT DIMENSIONS



Flat Clip



Rotational Clip



Louver