

# OPTOLUM

TYPE:

T: 480-968-2500  
F: 480-968-3005

1407 W 10th Place Suite 107  
Tempe, AZ 85018

## BRITELINE ROUND

### HIGHLIGHTS

STANDARD **CRI 90+** NOMINAL

DATE: \_\_\_\_\_

<b>Aimable</b>	Lumen Output*	493.8Lm/ft (1620 Lm/m)	*Product tested at 3000K, 90+CRI
	Power Consumption**	7.41 W/ft (24.32 W/m)	** Wattage is inclusive of power supply
	Efficacy	67 Lm/W	50,000 hours of maintenance of 70% Lumen output at 25 °C
	Input Voltage	24 VDC	

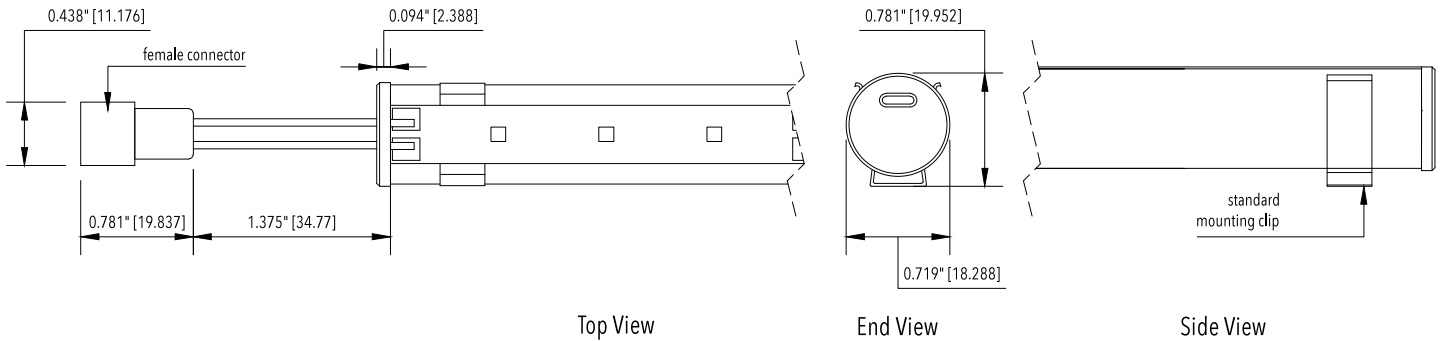
PROJECT: \_\_\_\_\_

FIRM: \_\_\_\_\_



### PRODUCT DIMENSIONS

NOTES: \_\_\_\_\_



### SPECIFY

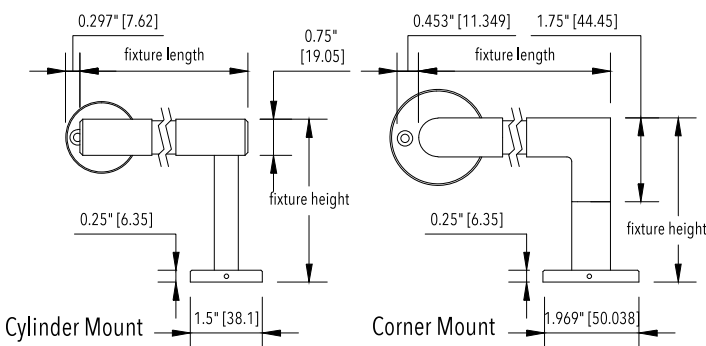
Example: **BL-RD----309USD-A060000**

<b>B2</b>		<b>RD-</b>	-	--					
-----------	--	------------	---	----	--	--	--	--	--

PRODUCT	MOUNTING	COLOR TEMPERATURE	COATING	LENS	CONNECTION	FINISH	LENGTH
	<ul style="list-style-type: none"> <li>Standard Mounting Clips</li> <li><b>Y</b> Cylinder*</li> <li><b>C</b> Corner*</li> </ul> <p>*Please specify overall fixture length and height below</p>	<ul style="list-style-type: none"> <li><b>22 8</b> 2200K*</li> <li><b>24 8</b> 2400K*</li> <li><b>27 9</b> 2700K</li> <li><b>30 9</b> 3000K</li> <li><b>35 9</b> 3500K</li> <li><b>40 9</b> 4000K</li> <li><b>45 9</b> 4500K*</li> <li><b>50 9</b> 5000K*</li> </ul> <p>*CRI 85 nominal, may require additional lead time</p>	<ul style="list-style-type: none"> <li><b>U</b> Uncoated Standard</li> <li>for damp location specify:</li> <li><b>C</b> Coated</li> </ul>	<ul style="list-style-type: none"> <li><b>S</b> Standard</li> <li><b>O</b> Opal</li> <li><b>U</b> Unlensed</li> </ul>	<ul style="list-style-type: none"> <li><b>D</b> Dead End</li> <li><b>E</b> End to End</li> </ul>	<ul style="list-style-type: none"> <li><b>A</b> Natural</li> <li><b>B</b> Brite*</li> <li><b>C</b> Black*</li> <li><b>D</b> Bronze*</li> </ul> <p>*Special order available for additional cost</p>	<p>Please specify nominal length in 3" increments up to 120"</p> <p>Specify actual installed fixture length below</p>

### MOUNTING

<b>LENGTH</b>	<b>HEIGHT</b>
---------------	---------------



### ACCESSORIES

<b>PS</b>				<b>2--</b>	
<b>JUMPERS</b>					

**POWER SUPPLIES** Complete information can be found on Power Supply Spec Pages

UL CLASS 2	IP65	INPUT 110-277 VAC
RATED POWER		RUN LENGTH PER SUPPLY
PS060X277-	60 W	7.7 ft (2.4 m)
PS100X277-	100 W	12.8 ft (3.9 m)
PS100-ELV-	100 W	12.8 ft (3.9 m)
INTEGRAL J-BOX		
PS100-277-	100 W	12.8 ft (3.9 m)

\*Quantity of Power Supplies may change based upon layout.