

# OPTOLUM

TYPE:

T: 480-968-2500  
F: 480-968-3005

1407 W 10th Place Suite 107  
Tempe, AZ 85018

**ECOLINE ROUND MO**

## HIGHLIGHTS

STANDARD **CRI 90+** NOMINAL

DATE: \_\_\_\_\_

<b>Aimable Customizable</b>	Lumen Output*	219.2 Lm/ft (719 Lm/m)
	Power Consumption**	2.96 W/ft (9.71 W/m)
	Efficacy	74 Lm/W
	Input Voltage	24 VDC

\* Data has been interpolated from the LM 79 testing of similar OptoLum products at 3000K and 90+ CRI, actual values may differ.  
\*\* Wattage is inclusive of power supply.

50,000 hours of maintenance of 70% Lumen output at 25 °C

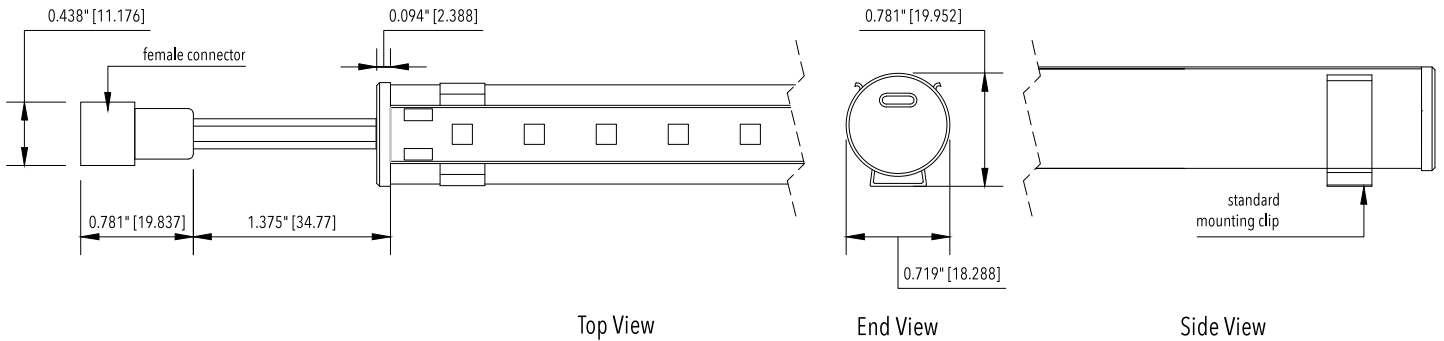


PROJECT: \_\_\_\_\_

FIRM: \_\_\_\_\_

## PRODUCT DIMENSIONS

NOTES: \_\_\_\_\_



## SPECIFY

Example: **EL-RD-M--309USD-A060000**

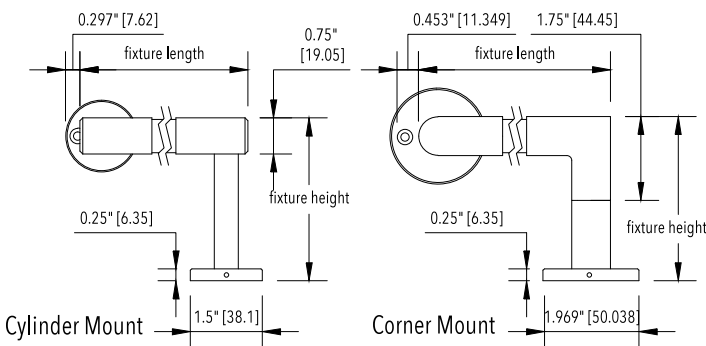
<b>EL</b>		<b>RD-</b>	<b>M</b>	--																
-----------	--	------------	----------	----	--	--	--	--	--	--	--	--	--	--	--	--	--	--	--	--

PRODUCT	MOUNTING	COLOR TEMPERATURE	COATING	LENS	CONNECTION	FINISH	LENGTH
	<ul style="list-style-type: none"> <li>Standard Mounting Clips</li> <li>Y Cylinder*</li> <li>C Corner*</li> </ul> <p>*Please specify overall installed fixture length and height below</p>	<ul style="list-style-type: none"> <li>20 8 2000K*</li> <li>22 8 2200K*</li> <li>24 8 2400K*</li> <li>27 9 2700K</li> <li>30 9 3000K</li> <li>35 9 3500K</li> <li>40 9 4000K</li> <li>45 9 4500K*</li> <li>50 9 5000K*</li> </ul>	<ul style="list-style-type: none"> <li>U Uncoated Standard</li> <li>for damp location specify:</li> <li>C Coated</li> </ul>	<ul style="list-style-type: none"> <li>S Standard</li> <li>O Opal</li> <li>U Unlensed</li> </ul>	<ul style="list-style-type: none"> <li>D Dead End</li> <li>E End to End</li> </ul>	<ul style="list-style-type: none"> <li>A Natural</li> <li>B Brite*</li> <li>C Black*</li> <li>D Bronze*</li> </ul> <p>*Special order available for additional cost</p>	<p>Please specify nominal length in 4" increments up to 120"</p> <p>Specify actual installed fixture length below</p>

\*CRI 85 nominal, may require additional lead time

## MOUNTING

LENGTH	HEIGHT
--------	--------



## ACCESSORIES

<b>PS</b>					<b>2--</b>				
<b>JUMPERS</b>									

**POWER SUPPLIES** Complete information can be found on Power Supply Spec Pages

UL CLASS 2	IP65	INPUT 110-277 VAC
RATED POWER RUN LENGTH PER SUPPLY*		
PS060X277-	60 W	19.3 ft (5.9 m)
PS100X277-	100 W	32.1 ft (9.8 m)
PS100-ELV-	100 W	32.1 ft (9.8 m)
INTEGRAL J-BOX		
PS100-277-	100 W	32.1 ft (9.8 m)

\*Quantity of Power Supplies may change based upon layout.