

OPTOLUM

TYPE:

T: 480-968-2500
F: 480-968-3005

1407 W 10th Place Suite 107
Tempe, AZ 85281

FINELINE ROUND FLEX HO

HIGHLIGHTS

STANDARD **CRI 90+** NOMINAL

DATE: _____

**High Output
Robust
Flex Product**

Lumen Output*	527.7 Lm/ft (1731 Lm/m)
Power Consumption**	6.74 W/ft (22.11 W/m)
Efficacy	78 Lm/W
Input Voltage	24 VDC

* Data has been interpolated from the LM 79 testing of similar OptoLum products at 3000K and 90+ CRI, actual values may differ.
** Wattage is inclusive of power supply.

50,000 hours of maintenance of 70% Lumen output at 25 °C

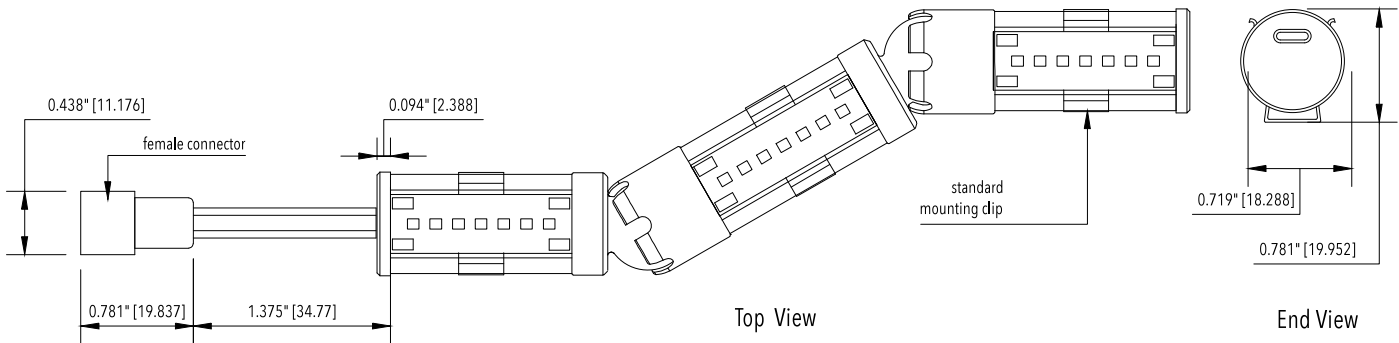


PROJECT: _____

FIRM: _____

PRODUCT DIMENSIONS

NOTES: _____



SPECIFY

Example: **FLXR-D-H--309USDGA060000**

FL	X	RD-	H	--						
-----------	----------	------------	----------	-----------	--	--	--	--	--	--

PRODUCT

COLOR TEMPERATURE
20 8 2000K*
22 8 2200K*
24 8 2400K*
27 9 2700K
30 9 3000K
35 9 3500K
40 9 4000K
45 9 4500K*
50 9 5000K*

COATING
U Uncoated Standard
<i>for damp location specify:</i>
C Coated

LENS
S Standard
O Opal
U Unlensed

CONNECTION
D Dead End
E End to End

JOINT TYPE
B Black Ball
G Gray Ball
W Wire

FINISH
A Natural
C Black*
D Bronze*
<i>*Special order available for additional cost</i>

LENGTH
Please specify nominal length in 1.26" increments up to 120"

*CRI 85 nominal, may require additional lead time

ACCESSORIES

PS				2--	
JUMPERS					

POWER SUPPLIES Complete information can be found on Power Supply Spec Pages

UL CLASS 2	IP65	INPUT 110-277 VAC
RATED POWER RUN LENGTH PER SUPPLY*		
PS060X277-	60 W	8.4 ft (2.5 m)
PS100X277-	100 W	14.0 ft (4.2 m)
PS100-ELV-	100 W	14.0 ft (4.2 m)
INTEGRAL J-BOX		
PS100-277-	100 W	14.0 ft (4.2 m)

*Quantity of Power Supplies may change based upon layout.