

OPTOLUM

TYPE:

T: 480-968-2500
F: 480-968-3005

1407 W 10th Place Suite 107
Tempe, AZ 85281

FINELINE ROUND FLEX LO

HIGHLIGHTS

STANDARD **CRI 90+** NOMINAL

DATE: _____

Robust Flex Product	Lumen Output*	263.9 Lm/ft (866 Lm/m)
	Power Consumption**	3.51 W/ft (11.51 W/m)
	Efficacy	75 Lm/W
	Input Voltage	24 VDC

* Data has been interpolated from the LM 79 testing of similar OptoLum products at 3000K and 90+ CRI, actual values may differ.
** Wattage is inclusive of power supply.

50,000 hours of maintenance of 70% Lumen output at 25 °C

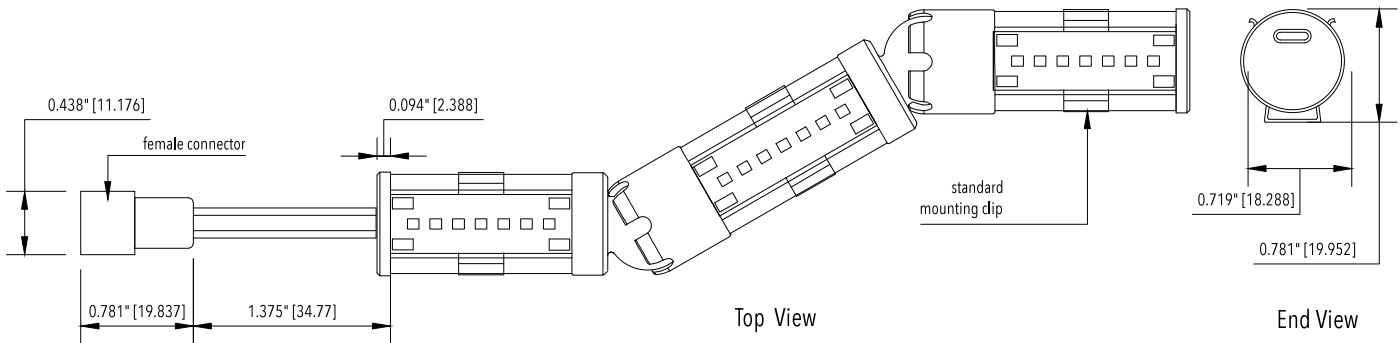


PROJECT: _____

FIRM: _____

PRODUCT DIMENSIONS

NOTES: _____



SPECIFY

Example: **FLXR-D--309USDGA060000**

FL	X	RD-	L	--						
-----------	----------	------------	----------	----	--	--	--	--	--	--

PRODUCT

COLOR TEMPERATURE	COATING	LENS	CONNECTION	JOINT TYPE	FINISH	LENGTH
20 8 2000K*	U Uncoated Standard	S Standard O Opal U Unlensed	D Dead End E End to End	B Black Ball G Gray Ball W Wire	A Natural C Black* D Bronze*	Please specify nominal length in 1.26" increments up to 120"
22 8 2200K*						
24 8 2400K*	for damp location specify:					
27 9 2700K						
30 9 3000K	C Coated				*Special order available for additional cost	
35 9 3500K						
40 9 4000K						
45 9 4500K*						
50 9 5000K*						

*CRI 85 nominal, may require additional lead time

ACCESSORIES

PS				2--	
JUMPERS					

POWER SUPPLIES Complete information can be found on Power Supply Spec Pages

UL CLASS 2	IP65	INPUT 110-277 VAC
RATED POWER RUN LENGTH PER SUPPLY*		
PS060X277-	60 W	16.2 ft (4.9 m)
PS100X277-	100 W	27.0 ft (8.2 m)
PS100-ELV-	100 W	27.0 ft (8.2 m)
INTEGRAL J-BOX		
PS100-277-	100 W	27.0 ft (8.2 m)

*Quantity of Power Supplies may change based upon layout.