

TYPE PROJECT FIRM DATE

ROUND

Small Scale Linear



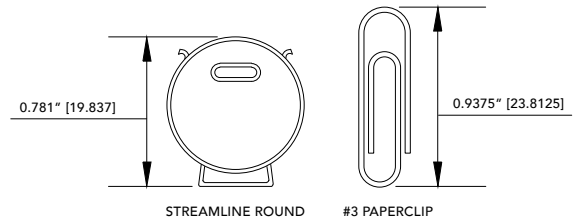
Our small profile round fixture is ideal for display lighting and applications that require a high degree of flexibility in the aiming of light. Choose from any one of our small scale light engines for a highly versatile fixture. Clip mounting or stem mounting available.

- + Standard CRI 90+ Nominal



	ROUND LO	ROUND HO
Lumen Output*	263.9 lm/ft (866 lm/m)	715.5 lm/ft (2354 lm/m)
Power Consumption**	3.51 W/ft (11.51 W/m)	7.3 W/ft (24 W/m)
Efficacy	75 lm/W	98.1 lm/W
Input Voltage	24 VDC	
Dimensions (H x W)	0.338" x 0.438"	
Full Width Half Max	60°(H) x 80°(V)	
Uniformity	3-Step MacAdam Ellipse	
Operating Temp	50°C (122°F) Max	
Materials	Extruded Aluminium	
Dimming	Flicker-Free down to 0.1%	

* Product tested at 3000K, 90+CRI
 ** Wattage is inclusive of power supply
 50,000 hours of maintenance of 70% Lumen output at 25°C



ACTUAL SIZE COMPARISON

ROUND ORDERING CODE Example: EL-RD-L--309USD-A060000

PRODUCT	MOUNTING	OUTPUT	COLOR TEMP	COATING	LENS	CONNECTION	FINISH	LENGTH
FL Round	- Standard Mounting Clips Y Cylinder* C Corner*	H HO L LO	20 8 2000K 22 8 2200K 24 8 2400K 27 9 2700K* 30 9 3000K* 35 9 3500K* 40 9 4000K* 45 9 4500K 50 9 5000K	U Uncoated Standard C Coated	S Standard O Opal U Unlensed	D Dead End E End to End	A Natural C Black D Bronze	Please specify nominal length in 1.26" increments up to 60" Fixtures up to 120" may be specified with special handling
	<small>*Please specify overall fixture length and height below</small>		<small>*CRI 90+</small>					

ROUND ACCESSORIES

	SUPPLY	DIMMING	# OF LEADS	IP RATING	JUMPERS
PS	060X277 100X277 40-ELV* 60-ELV* 100-ELV* 100-277 <small>*Available only with TRIAC</small>	0-10V TRIAC* — <small>*Available only with 100-ELV</small>	1 2 3	65 —	1'-0" (30.5 cm) 2'-0" (61.0 cm) 5'-0" (152.4 cm) 11'-0" (335.3 cm) NO JUMPERS <small>*Jumpers are included with 0-10V; For ELV/TRIAC, select jumper from Power Supplies list</small>

TYPE _____ PROJECT _____ FIRM _____ DATE _____

ROUND POWER SUPPLIES Complete information can be found on Power Supply Spec Pages

INPUT 110-277 VAC RUN LENGTH PER SUPPLY*
*Quantity of Power Supplies may change based upon layout.

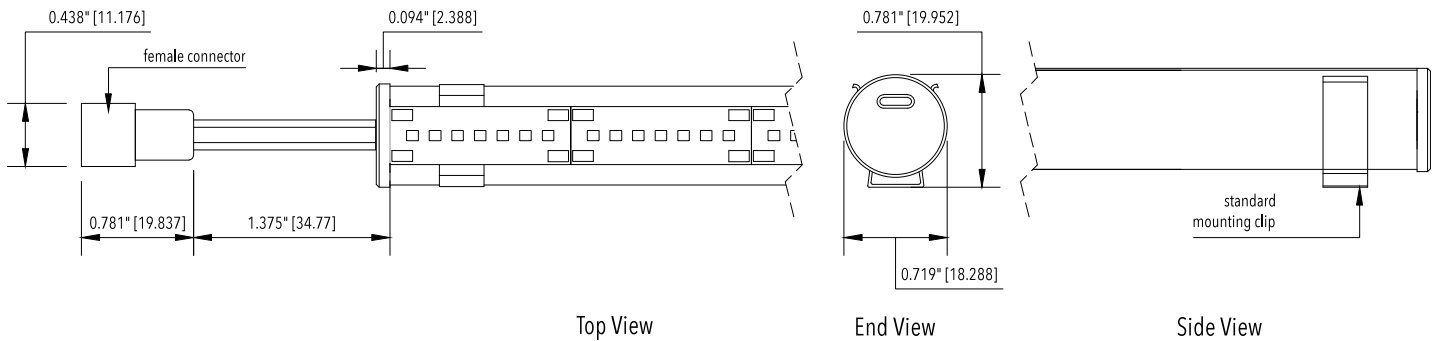
UL CLASS 2	IP65 RATED POWER	HO	LO
PS060X277	60 W	7.5 ft (2.29 m)	16.2 ft (4.9 m)
PS100X277	100 W	12.5 ft (3.81 m)	27.0 ft (8.2 m)
PS40-ELV*	40 W	5.0 ft (1.52 m)	
PS60-ELV*	60 W	7.5 ft (2.29 m)	
PS100-ELV*	100 W	12.5 ft (3.81 m)	27.0 ft (8.2 m)
PS100-277 (INTEGRAL J-BOX)	100 W	12.5 ft (3.81 m)	27.0 ft (8.2 m)

*80% Min Load Required

MLV	IP67	RUN LENGTH
PS M20L24DC-AR	20 W	2.5 ft (0.74 m)
PS M40L24DC-AR	40 W	5.0 ft (1.52 m)
PS M60L24DC-AR	60 W	7.5 ft (2.29 m)
PS M100L24DC-AR	100 W	12.5 ft (3.81 m)

LUTRON	DRY/DAMP RATING	RUN LENGTH
PS L3D0-96W24V – High Lume Premier; Compatible with EcoSystem 3 Wire Controls	96 W	12.0 ft (3.66 m)
PS L3DA4U1UKL – High Lume EcoSystem/ 3 wire L3D J/Box	40 W	5.0 ft (1.52 m)
PS LTEA4U1UKL – High Lume EcoSystem/ 2 wire J/Box	40 W	5.0 ft (1.52 m)
PS L3DA4U1UKx – High Lume EcoSystem/ 3 wire L3D	40 W	5.0 ft (1.52 m)
PS LTEA4U1UKx – High Lume EcoSystem/ 2 wire	40 W	5.0 ft (1.52 m)

ROUND PRODUCT DIMENSIONS



ROUND MOUNTING DIMENSIONS

