

TYPE PROJECT FIRM DATE

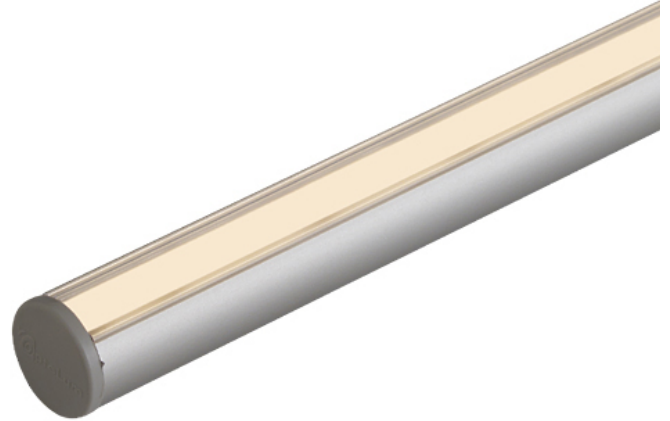
STREAMLINE ROUND

Small Scale Linear



StreamLine is an ultra-small linear LED fixture - an ideal solution for any lighting project. Beautiful and powerful light is delivered in a slim, versatile, highly-efficient package, providing intense, uniform light without visible LEDs. StreamLine is available in square or round with several mounting options that make it easy to place perfect light anywhere.

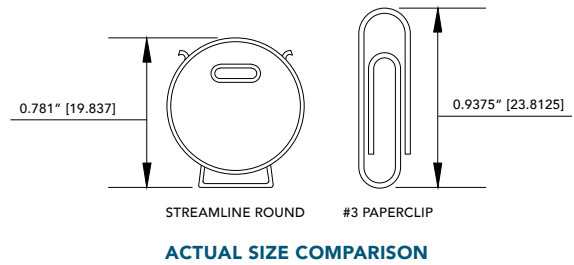
- + Ultra-small profile measures in at only 1/2"
- + Highly-Efficient, High-Output LED Lighting
- + High CRI 90+
- + 45°, 90° and magnetic mounting options



	STREAMLINE ROUND HO	STREAMLINE ROUND LO
Lumen Output*	369.0 lm/ft (1210 lm/m)	184.5 lm/ft (605 lm/m)
Power Consumption**	6.74 W/ft (22.11 W/m)	3.51 W/ft (11.51 W/m)
Efficacy	55 lm/W	52 lm/W
Input Voltage	24VDC	
Dimensions (W x H)	0.719" x 0.781"	
Full Width Half Max	60°(H) x 80°(V)	
Uniformity	3-Step MacAdam Ellipse	
Operating Temp	50°C (122°F) Max	
Materials	Extruded Aluminium	
Dimming	Flicker-Free down to 0.1%	

* Data has been interpolated from the LM 79 testing of similar OPTOLUM products at 3000K and 90+ CRI, actual values may differ.

** Wattage is inclusive of power supply



STREAMLINE ROUND ORDERING CODE Example: SL9--H--309--D-A060000

PRODUCT	MOUNTING	OUTPUT	COLOR TEMP	CONNECTION	FINISH	LENGTH
	R D -	--	--	-		
SL Streamline	- Standard Mounting Clips Y Cylinder* C Corner* <i>*Please specify overall fixture length and height below</i>	H HO L LO	20 8 2000K 22 8 2200K 24 8 2400K 27 9 2700K* 30 9 3000K* 35 9 3500K* 40 9 4000K* 45 9 4500K 50 9 5000K *CRI 90+	D Dead End E End to End	A Natural C Black D Bronze	Please specify nominal length in 1.26" increments up to 60" Fixtures up to 120" may be specified with special handling

STREAMLINE ROUND ACCESSORIES

	SUPPLY	DIMMING	# OF LEADS	IP RATING	JUMPERS
	-	-	- 2 - -		
PS	060X277 100X277 40-ELV* 60-ELV* 100-ELV* 100-277 *Available only with TRIAC	0-10V TRIAC* --- *Available only with 100-ELV	1 2 3	65 67 ---	1'-0" (30.5 cm) 2'-0" (61.0 cm) 5'-0" (152.4 cm) 11'-0" (335.3 cm) NO JUMPERS *Jumpers are included with 0-10V; For ELV/TRIAC, select jumper from Power Supplies list

TYPE _____ PROJECT _____ FIRM _____ DATE _____

STREAMLINE ROUND POWER SUPPLIES Complete information can be found on Power Supply Spec Pages

INPUT 110-277 VAC RUN LENGTH PER SUPPLY*
*Quantity of Power Supplies may change based upon layout.

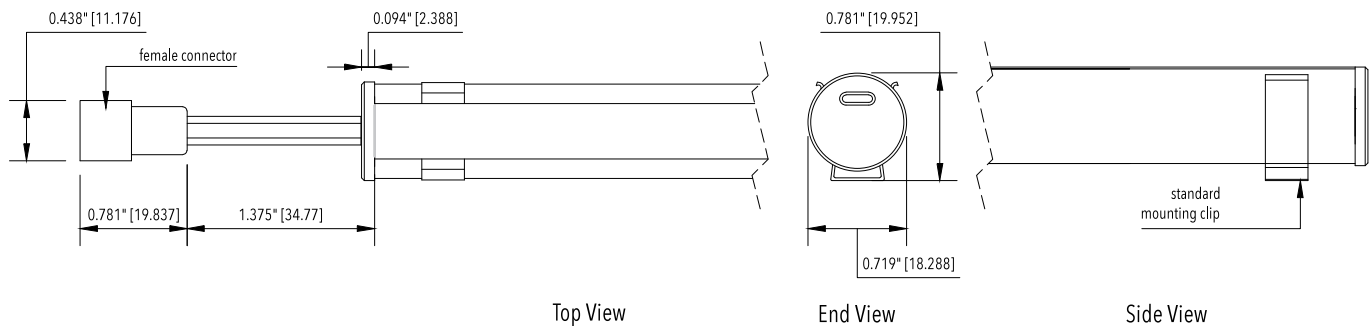
UL CLASS 2	IP65 RATED POWER	HO	LO
PS060X277	60 W	7.5 ft (2.29 m)	16.2 ft (4.9 m)
PS100X277	100 W	12.5 ft (3.81 m)	27.0 ft (8.2 m)
PS40-ELV*	40 W	5.0 ft (1.52 m)	
PS60-ELV*	60 W	7.5 ft (2.29 m)	
PS100-ELV*	100 W	12.5 ft (3.81 m)	27.0 ft (8.2 m)
PS100-277 (INTEGRAL J-BOX)	100 W	12.5 ft (3.81 m)	27.0 ft (8.2 m)

*80% Min Load Required

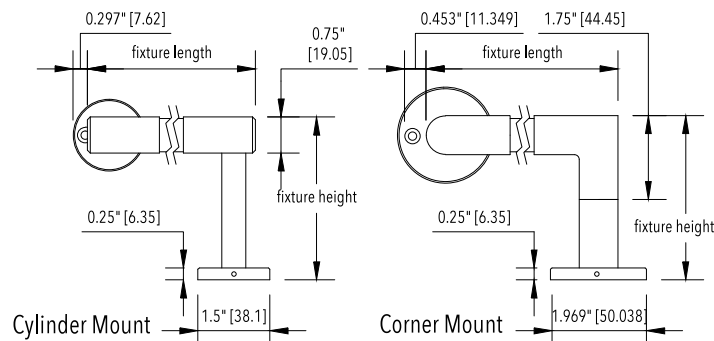
MLV	IP67	RUN LENGTH
PS M20L24DC-AR	20 W	2.5 ft (0.74 m)
PS M40L24DC-AR	40 W	5.0 ft (1.52 m)
PS M60L24DC-AR	60 W	7.5 ft (2.29 m)
PS M100L24DC-AR	100 W	12.5 ft (3.81 m)

LUTRON	DRY/DAMP RATING	RUN LENGTH
PS L3D0-96W24V – High Lume Premier; Compatible with EcoSystem 3 Wire Controls	96 W	12.0 ft (3.66 m)
PS L3DA4U1UKL – High Lume EcoSystem/ 3 wire L3D J/Box	40 W	5.0 ft (1.52 m)
PS LTEA4U1UKL – High Lume EcoSystem/ 2 wire J/Box	40 W	5.0 ft (1.52 m)
PS L3DA4U1UKx – High Lume EcoSystem/ 3 wire L3D	40 W	5.0 ft (1.52 m)
PS LTEA4U1UKx – High Lume EcoSystem/ 2 wire	40 W	5.0 ft (1.52 m)

STREAMLINE ROUND PRODUCT DIMENSIONS



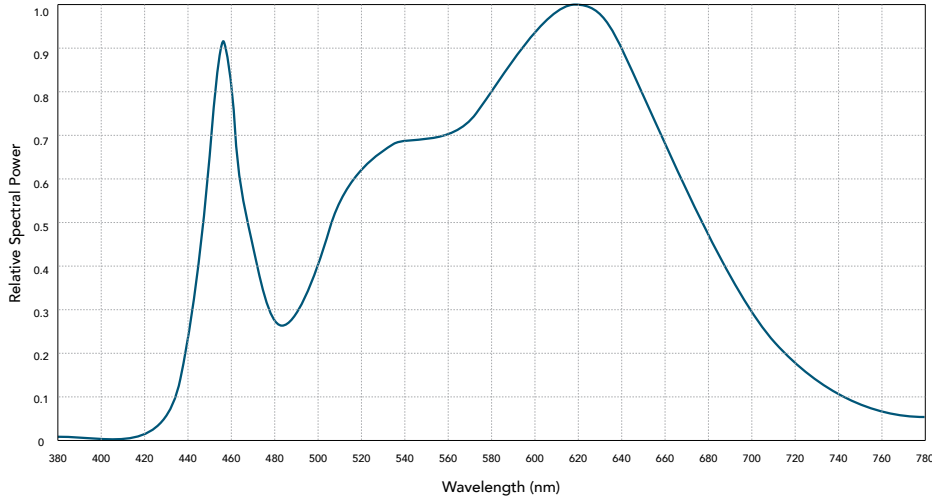
STREAMLINE ROUND MOUNTING DIMENSIONS



TYPE PROJECT FIRM DATE

STREAMLINE ROUND PERFORMANCE DATA

Summary Relative Spectral Irradiance Distribution (Wavelength – nm, Irradiance – Relative to Peak = 1)



380	0.004	480	0.276	580	0.798	680	0.470
385	0.003	485	0.266	585	0.834	685	0.422
390	0.003	490	0.295	590	0.868	690	0.377
395	0.003	495	0.341	595	0.908	695	0.335
400	0.002	500	0.403	600	0.942	700	0.297
405	0.002	505	0.470	605	0.970	705	0.261
410	0.003	510	0.532	610	0.990	710	0.229
415	0.005	515	0.583	615	0.999	715	0.201
420	0.011	520	0.623	620	0.999	720	0.176
425	0.025	525	0.652	625	0.987	725	0.154
430	0.054	530	0.671	630	0.967	730	0.135
435	0.112	535	0.681	635	0.934	735	0.117
440	0.214	540	0.687	640	0.896	740	0.103
445	0.378	545	0.690	645	0.849	745	0.091
450	0.650	550	0.693	650	0.801	750	0.080
455	0.898	555	0.698	655	0.745	755	0.072
460	0.815	560	0.706	660	0.689	760	0.066
465	0.556	565	0.720	665	0.632	765	0.060
470	0.431	570	0.740	670	0.572	770	0.056
475	0.345	575	0.767	675	0.523	775	0.053
						780	0.051

