

# OPTOLUM

TYPE:

T: 480-968-2500  
F: 480-968-3005

1407 W 10th Place Suite 107  
Tempe, AZ 85281

## STREAMLINE ROUND FLEX HO

### HIGHLIGHTS

STANDARD **CRI 90+** NOMINAL

DATE: \_\_\_\_\_

<b>No Visible LEDs</b>  <b>Robust Flex Product</b>	Lumen Output*	369.0 Lm/ft (1210 Lm/m)
	Power Consumption**	6.74 W/ft (22.11 W/m)
	Efficacy	55 Lm/W
	Input Voltage	24 VDC

\* Data has been interpolated from the LM 79 testing of similar OptoLum products at 3000K and 90+ CRI, actual values may differ.  
\*\* Wattage is inclusive of power supply.

50,000 hours of maintenance of 70% Lumen output at 25 °C

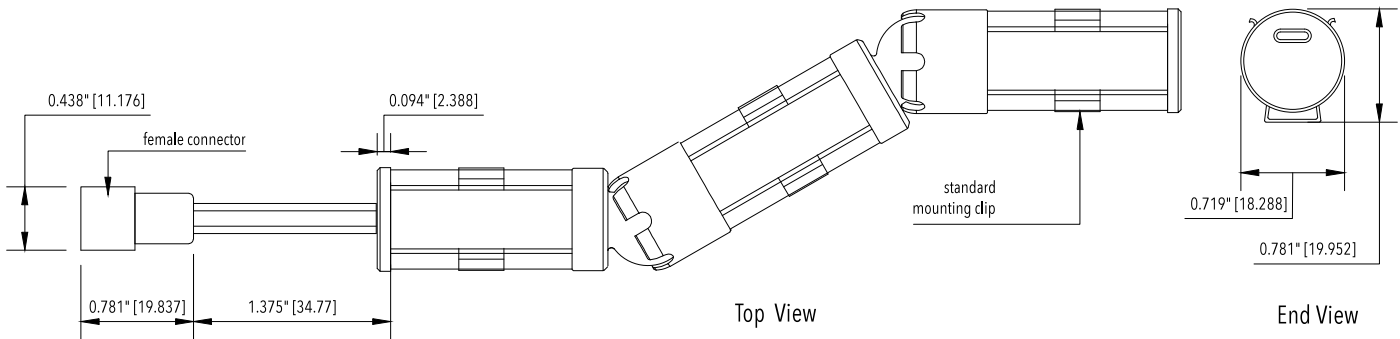


PROJECT: \_\_\_\_\_

FIRM: \_\_\_\_\_

### PRODUCT DIMENSIONS

NOTES: \_\_\_\_\_



### SPECIFY

Example: **SLXRD-H--309--DGA060000**

<b>SL</b>	<b>X</b>	<b>RD-</b>	<b>H</b>	--		--				
-----------	----------	------------	----------	----	--	----	--	--	--	--

#### PRODUCT

#### COLOR TEMPERATURE

- 20 8** 2000K\*
- 22 8** 2200K\*
- 24 8** 2400K\*
- 27 9** 2700K
- 30 9** 3000K
- 35 9** 3500K
- 40 9** 4000K
- 45 9** 4500K\*
- 50 9** 5000K\*

\*CRI 85 nominal, may require additional lead time

#### CONNECTION

- D** Dead End
- E** End to End

#### JOINT TYPE

- B** Black Ball
- G** Natural Ball
- W** Wire

#### FINISH

- A** Natural
- C** Black\*
- D** Bronze\*

\*Special order available for additional cost

#### LENGTH

Please specify overall fixture length up to 120"

Standard fixtures are segmented in 1.26" increments. Contact your rep to coordinate custom configurations.

### ACCESSORIES

<b>PS</b>				<b>2--</b>	
<b>JUMPERS</b>					

**POWER SUPPLIES** Complete information can be found on Power Supply Spec Pages

UL CLASS 2	IP65	INPUT 110-277 VAC
RATED POWER RUN LENGTH PER SUPPLY*		
PS060X277-	60 W	8.4 ft (2.5 m)
PS100X277-	100 W	14.0 ft (4.2 m)
PS100-ELV-	100 W	14.0 ft (4.2 m)
INTEGRAL J-BOX		
PS100-277-	100 W	14.0 ft (4.2 m)

\*Quantity of Power Supplies may change based upon layout.