

# OPTOLUM

TYPE:

T: 480-968-2500  
F: 480-968-3005

1407 W 10th Place Suite 107  
Tempe, AZ 85281

## STREAMLINE ROUND FLEX LO

### HIGHLIGHTS

**No Visible LEDs**  
**Robust Flex Product**

Lumen Output*	184.5 Lm/ft (605 Lm/m)
Power Consumption**	3.51 W/ft (11.51 W/m)
Efficacy	52 Lm/W
Input Voltage	24 VDC

STANDARD **CRI 90+** NOMINAL

\* Data has been interpolated from the LM 79 testing of similar OptoLum products at 3000K and 90+ CRI, actual values may differ.  
\*\* Wattage is inclusive of power supply.

50,000 hours of maintenance of 70% Lumen output at 25 °C



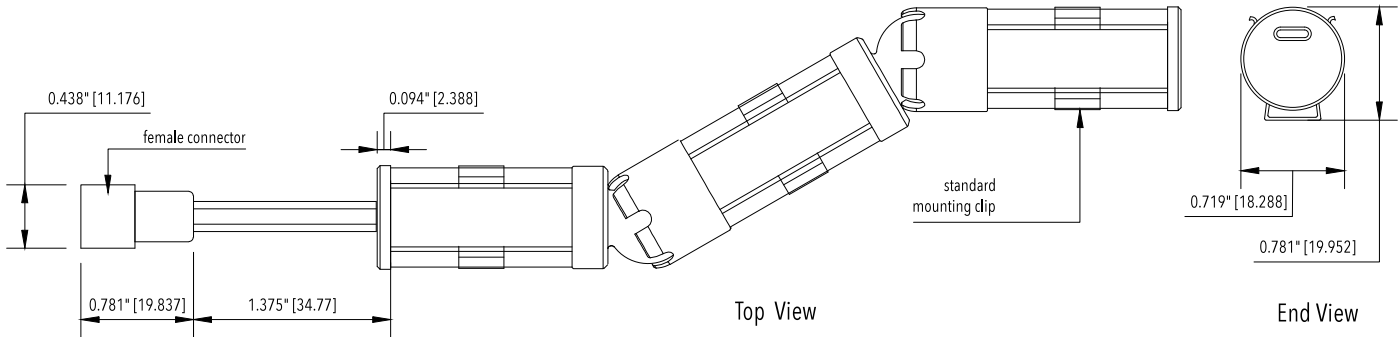
DATE: \_\_\_\_\_

PROJECT: \_\_\_\_\_

FIRM: \_\_\_\_\_

### PRODUCT DIMENSIONS

NOTES: \_\_\_\_\_



### SPECIFY

Example: **SLXRDL-309-DGA060000**

<b>SL</b>	<b>X</b>	<b>RD-</b>	<b>L</b>	--		--				
-----------	----------	------------	----------	----	--	----	--	--	--	--

#### PRODUCT

- COLOR TEMPERATURE**
- 20 8** 2000K\*
  - 22 8** 2200K\*
  - 24 8** 2400K\*
  - 27 9** 2700K
  - 30 9** 3000K
  - 35 9** 3500K
  - 40 9** 4000K
  - 45 9** 4500K\*
  - 50 9** 5000K\*

\*CRI 85 nominal, may require additional lead time

#### CONNECTION

- D** Dead End
- E** End to End

#### JOINT TYPE

- B** Black Ball
- G** Natural Ball
- W** Wire

#### FINISH

- A** Natural
- C** Black\*
- D** Bronze\*

\*Special order available for additional cost

#### LENGTH

Please specify overall fixture length up to 120"  
Standard fixtures are segmented in 1.26" increments. Contact your rep to coordinate custom configurations.

### ACCESSORIES

<b>PS</b>				<b>2--</b>	
<b>JUMPERS</b>					

**POWER SUPPLIES** Complete information can be found on Power Supply Spec Pages

<b>UL CLASS 2</b>	<b>IP65</b>	<b>INPUT 110-277 VAC</b>
-------------------	-------------	--------------------------

	<b>RATED POWER RUN LENGTH PER SUPPLY*</b>	
<b>PS060X277-</b>	60 W	16.2 ft (4.9 m)
<b>PS100X277-</b>	100 W	27.0 ft (8.2 m)
<b>PS100-ELV-</b>	100 W	27.0 ft (8.2 m)

#### INTEGRAL J-BOX

<b>PS100-277-</b>	100 W	27.0 ft (8.2 m)
-------------------	-------	-----------------

\*Quantity of Power Supplies may change based upon layout.